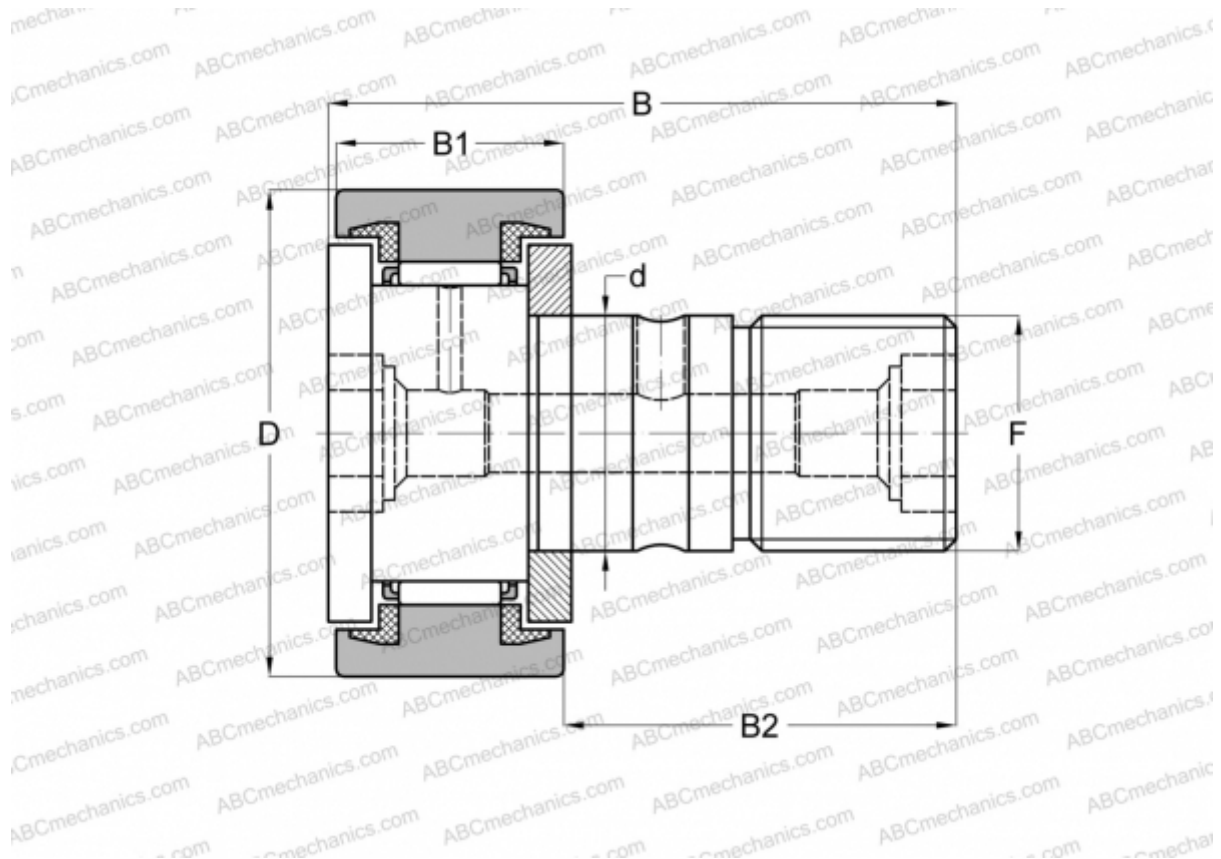


## CF 10 BUUM IKO

Cam followers

TYPE: Roller bearings, Stud type track rollers, With axial guidance, sealing rings on both sides, cylindrical outer ring, hex socket



### Technical specification

#### DIMENSIONS, MM

d	10,000
D	22,000
B	36,200
B1	12,000
B2	23,000
F	M10x1

**WEIGHT, KG** 0,045

**MANUFACTURER** [IKO](#)

#### INTERCHANGE

ABC	<a href="#">CF 10 BUUM</a>
INA	<a href="#">KR 22 PPXSK</a>
SKF	<a href="#">KR 22 PPXSK</a>
McGill	<a href="#">MCFR-22-SB</a>

#### CALCULATION DATA

Basic dynamic load rating, C	5,430 kN
Basic static load rating, Co	6,890 kN