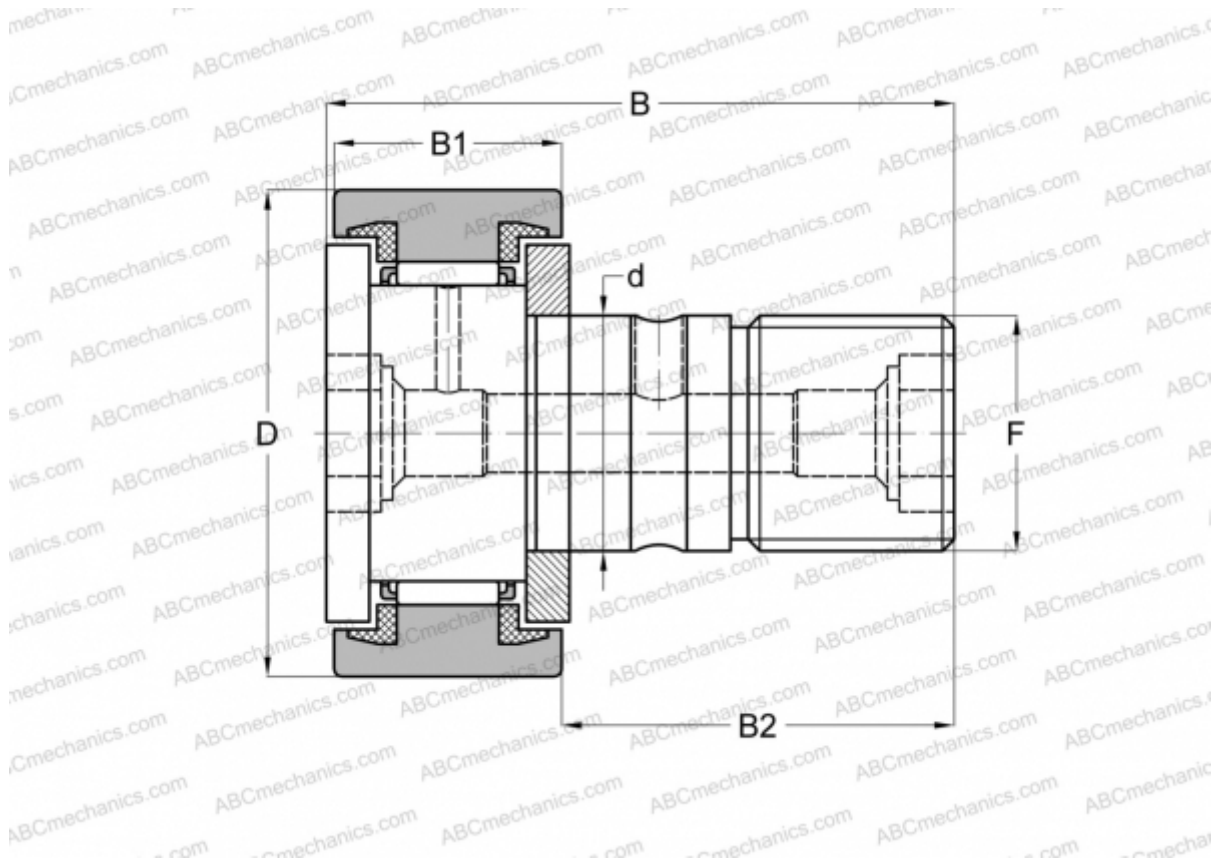


## KR 22 PPXSK SKF

Cam followers

TYPE: Roller bearings, Stud type track rollers, With axial guidance, sealing rings on both sides, cylindrical outer ring, hex socket



### Technical specification

#### DIMENSIONS, MM

d	10,000
D	22,000
B	36,200
B1	12,000
B2	23,000
F	M10x1

**WEIGHT, KG** 0,045

**MANUFACTURER** [SKF](#)

#### INTERCHANGE

ABC	<a href="#">CF 10 BUUM</a>
IKO	<a href="#">CF 10 BUUM</a>
INA	<a href="#">KR 22 PPXSK</a>
McGill	<a href="#">MCFR-22-SB</a>