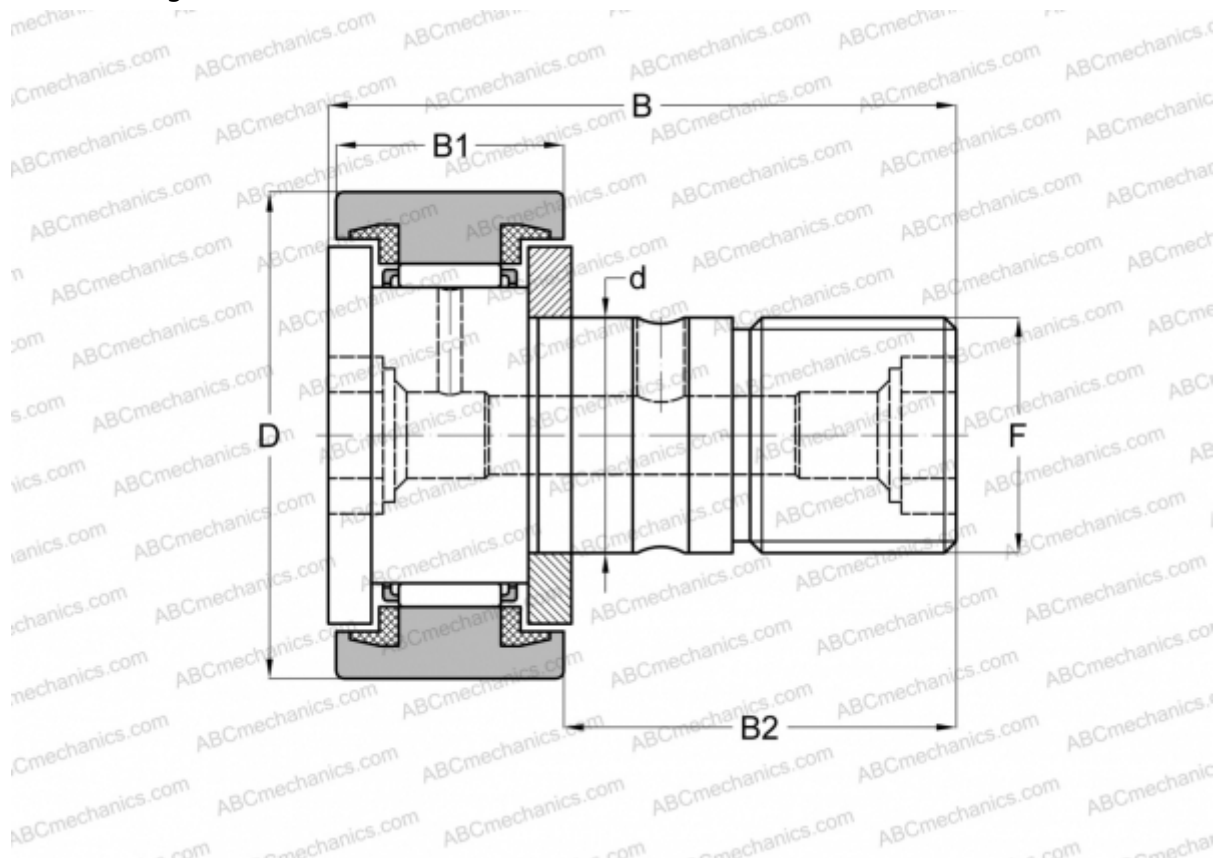


## MCFR-26A-SB McGill

Cam followers

TYPE: Roller bearings, Stud type track rollers, With axial guidance, sealing rings on both sides, cylindrical outer ring, hex socket



### Technical specification

#### DIMENSIONS, MM

d	10,000
D	26,000
B	36,200
B1	12,000
B2	23,000
F	M10x1.25

**WEIGHT, KG** 0,060

**MANUFACTURER** [McGill](#)

#### INTERCHANGE

ABC	<a href="#">CF 10-1 BUU</a>
IKO	<a href="#">CF 10-1 BUU</a>