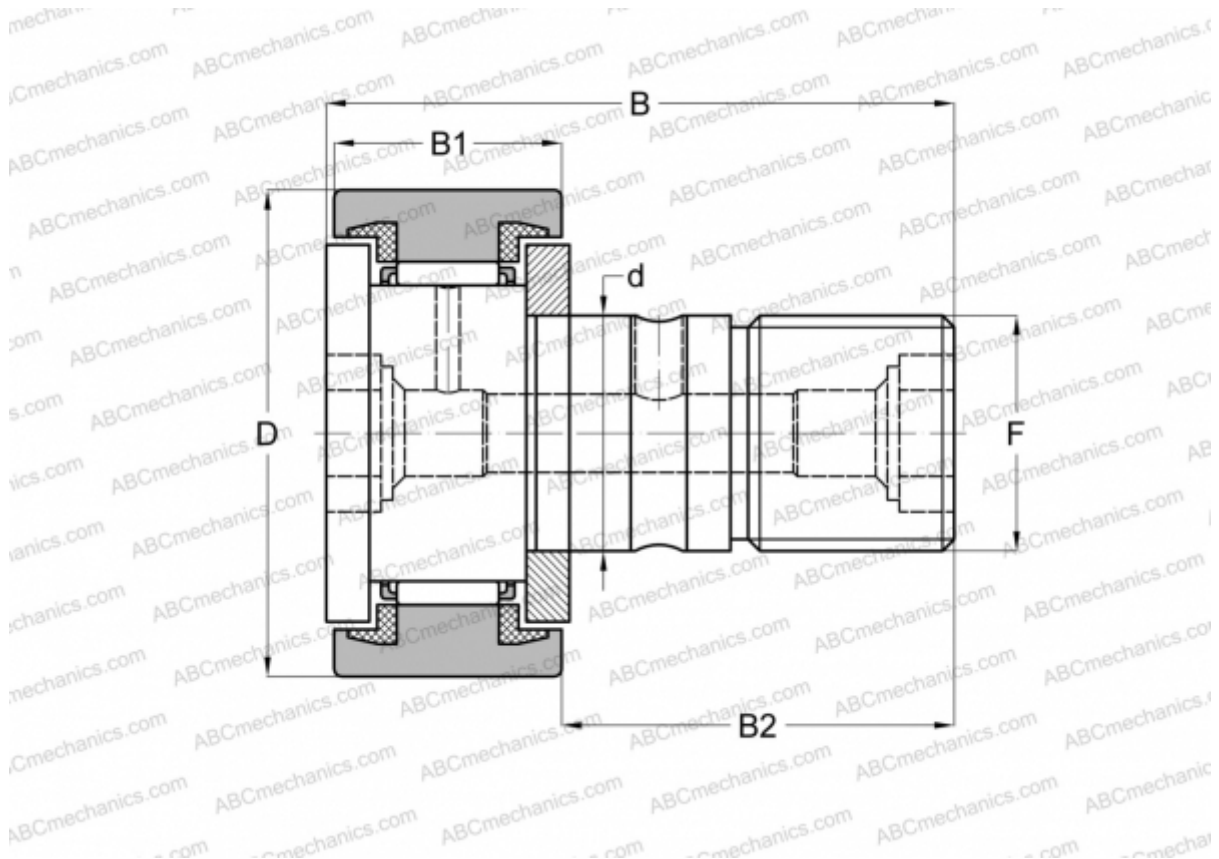


KR 30 PPXSK INA

Cam followers

TYPE: Roller bearings, Stud type track rollers, With axial guidance, sealing rings on both sides, cylindrical outer ring, hex socket



Technical specification

DIMENSIONS, MM

d	12,000
D	30,000
B	40,200
B1	14,000
B2	25,000
F	M12x1.5

WEIGHT, KG 0,095

MANUFACTURER [INA](#)

INTERCHANGE

ABC	CF 12 BUU
IKO	CF 12 BUU
SKF	KR 30 PPXSK
McGill	MCFR-30-SB