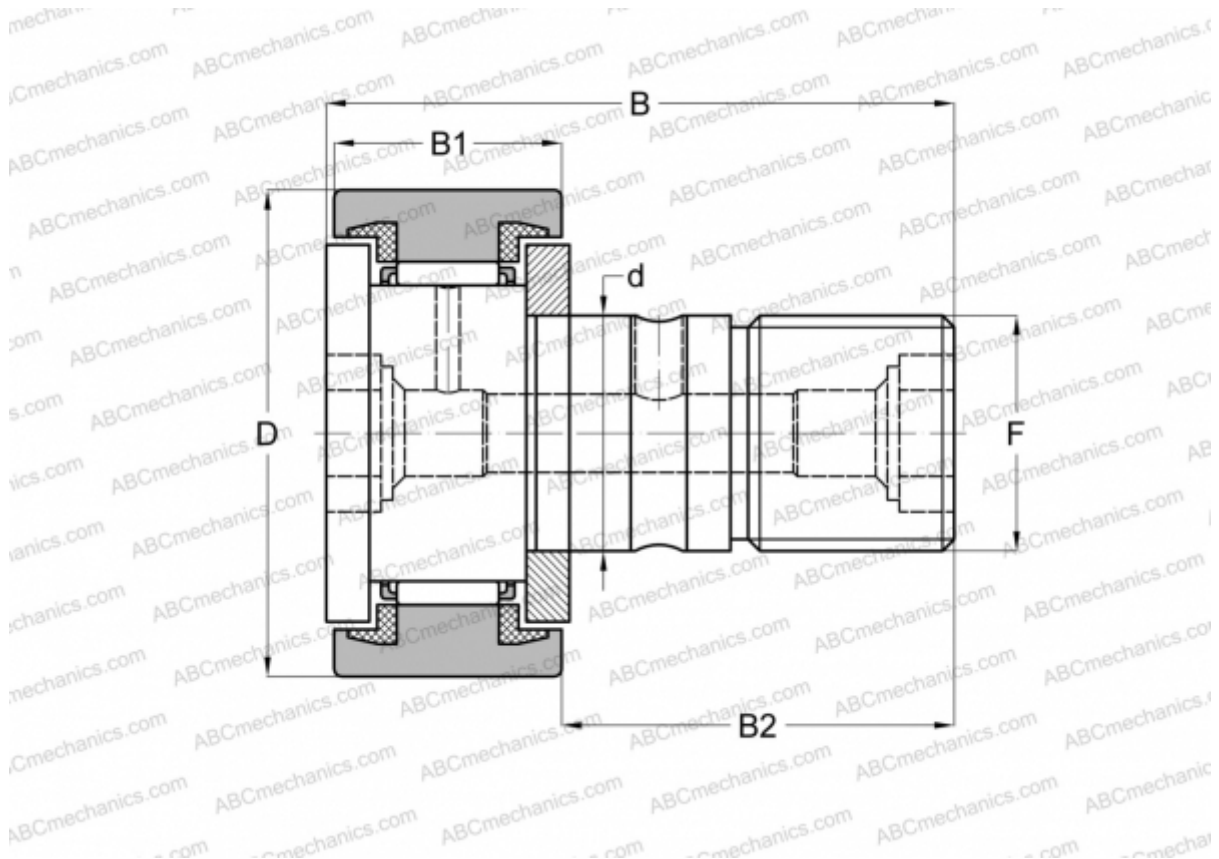


## CF 12-1 BUU ABC

Cam followers

TYPE: Roller bearings, Stud type track rollers, With axial guidance, sealing rings on both sides, cylindrical outer ring, hex socket



### Technical specification

#### DIMENSIONS, MM

d	12,000
D	32,000
B	40,200
B1	14,000
B2	25,000
F	M12x1.5

**WEIGHT, KG** 0,105

**MANUFACTURER** [ABC](#)

#### INTERCHANGE

IKO	<a href="#">CF 12-1 BUU</a>
INA	<a href="#">KR 32 PPXSK</a>
SKF	<a href="#">KR 32 PPXSK</a>
McGill	<a href="#">MCFR-32-SB</a>