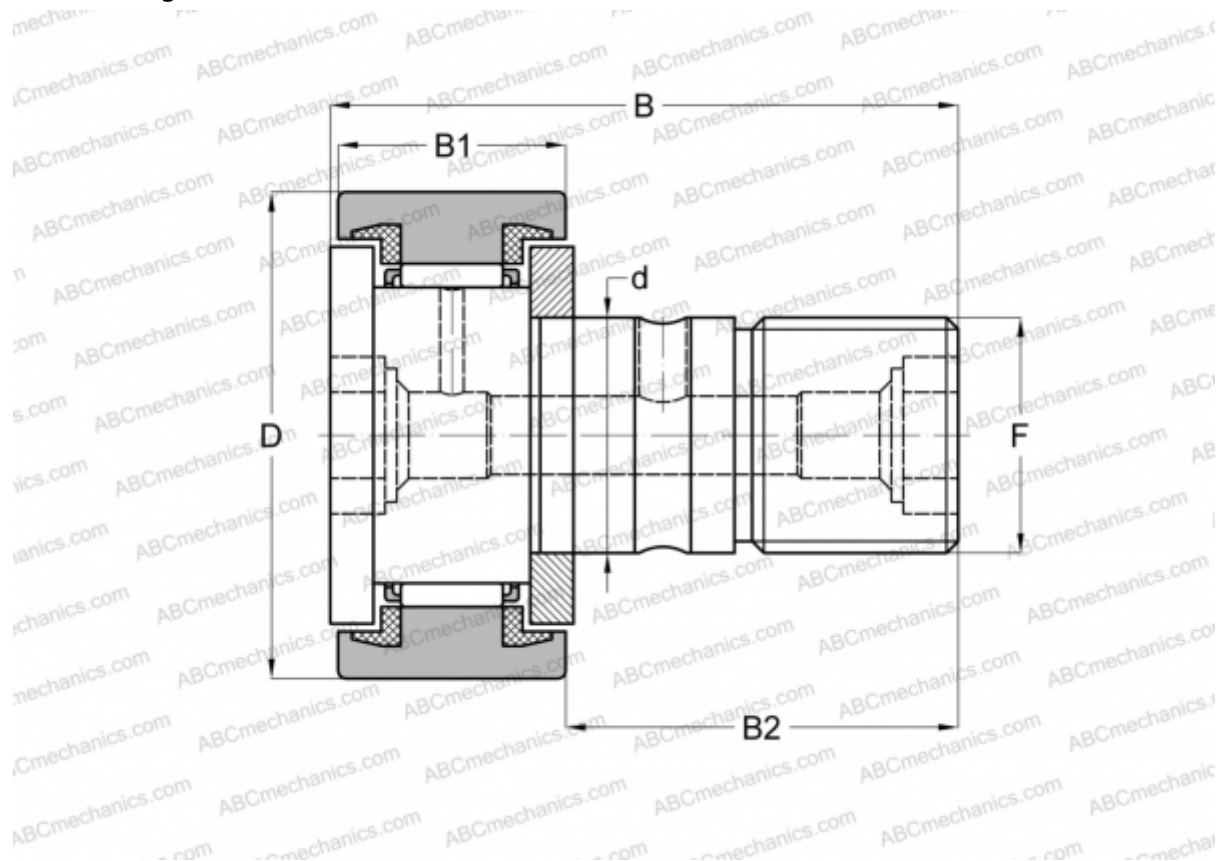


## CF 16 BUU IKO

Cam followers

TYPE: Roller bearings, Stud type track rollers, With axial guidance, sealing rings on both sides, cylindrical outer ring, hex socket



### Technical specification

#### DIMENSIONS, MM

d	16,000
D	35,000
B	52,100
B1	18,000
B2	32,500
F	M16x1.5

**WEIGHT, KG** 0,170

**MANUFACTURER** [IKO](#)

#### INTERCHANGE

ABC	<a href="#">CF 16 BUU</a>
INA	<a href="#">KR 35 PPXSK</a>
SKF	<a href="#">KR 35 PPXSK</a>
McGill	<a href="#">MCFR-35-SB</a>

#### CALCULATION DATA

Basic dynamic load rating, C	12,000 kN
Basic static load rating, Co	18,300 kN