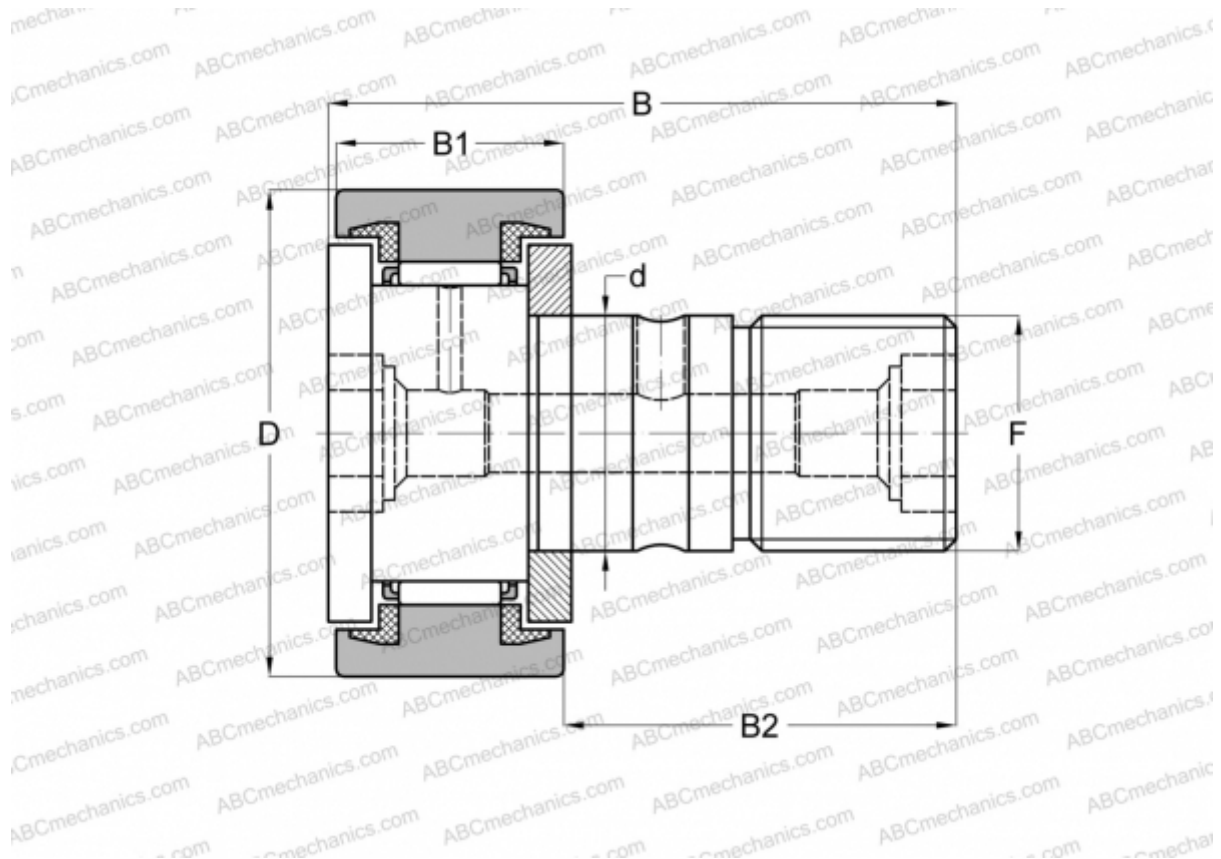


MCFR-47-SB McGill

Cam followers

TYPE: Roller bearings, Stud type track rollers, With axial guidance, sealing rings on both sides, cylindrical outer ring, hex socket



Technical specification

DIMENSIONS, MM

d	20,000
D	47,000
B	66,100
B1	24,000
B2	40,500
F	M20x1.5

WEIGHT, KG 0,385

MANUFACTURER [McGill](#)

INTERCHANGE

ABC	CF 20-1 BUU
IKO	CF 20-1 BUU
INA	KR 47 PPXSK
SKF	KR 47 PPXSK