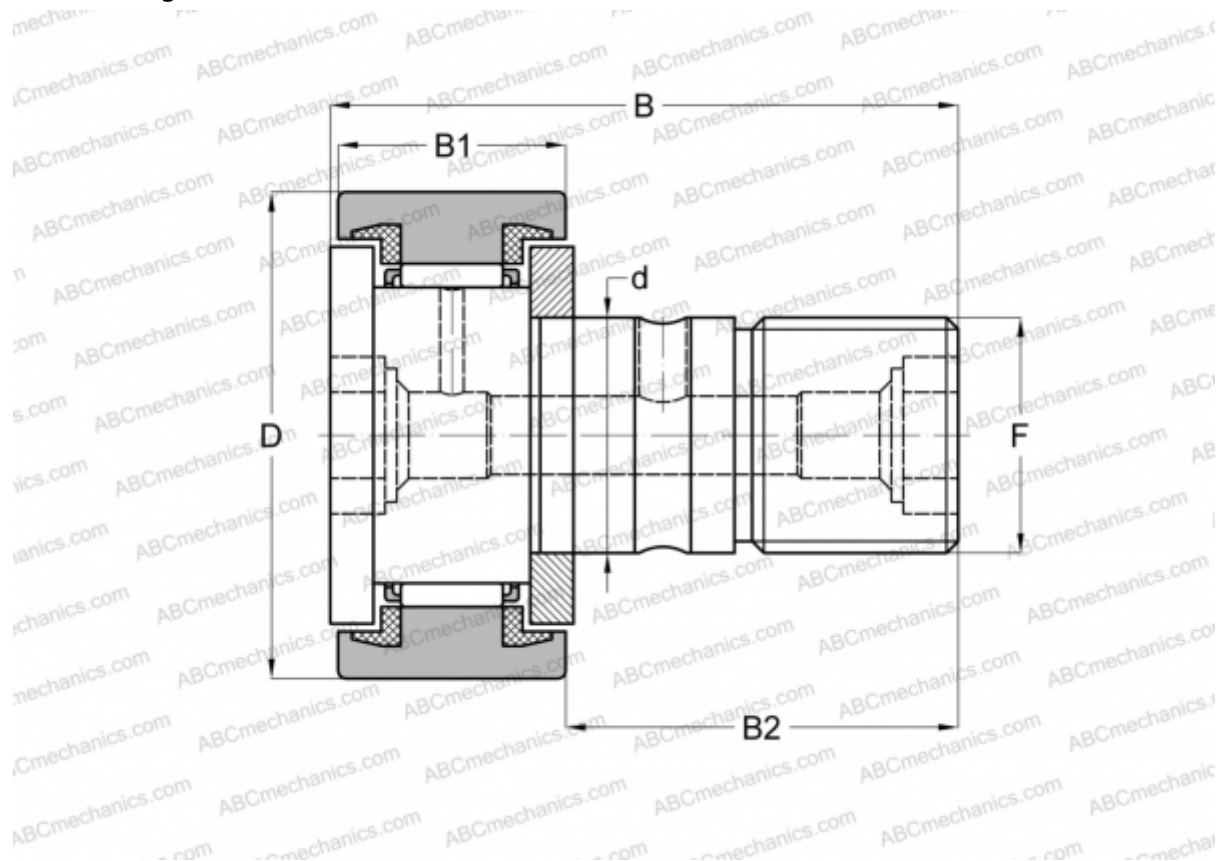


CF 24 BUU ABC

Cam followers

TYPE: Roller bearings, Stud type track rollers, With axial guidance, sealing rings on both sides, cylindrical outer ring, hex socket



Technical specification

DIMENSIONS, MM

| | |
|----|---------|
| d | 24,000 |
| D | 62,000 |
| B | 80,100 |
| B1 | 29,000 |
| B2 | 49,500 |
| F | M24x1.5 |

WEIGHT, KG 0,815

MANUFACTURER [ABC](#)

INTERCHANGE

| | |
|--------|----------------------------|
| IKO | CF 24 BUU |
| INA | KR 62 PPX |
| SKF | KR 62 PPX |
| McGill | MCFR-62-SB |