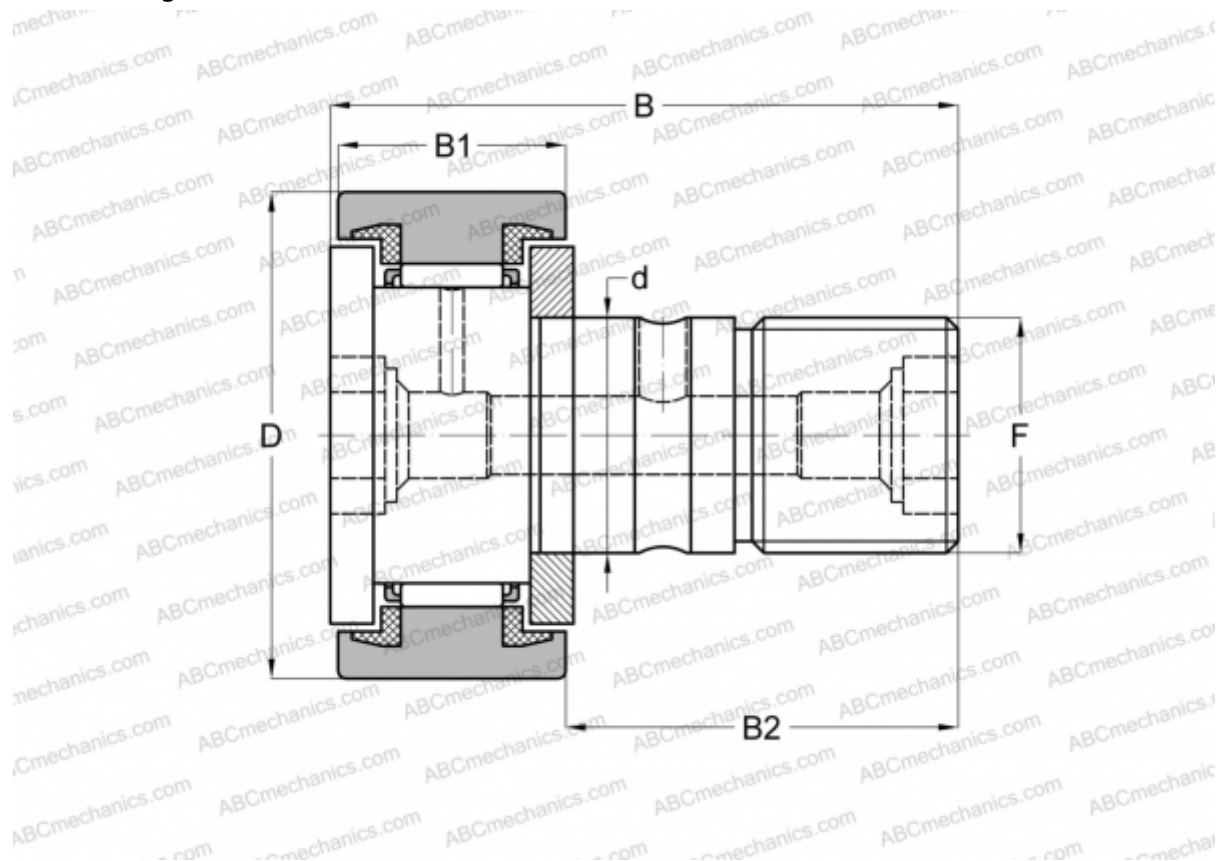


## MCFR-85-SB McGill

Cam followers

TYPE: Roller bearings, Stud type track rollers, With axial guidance, sealing rings on both sides, cylindrical outer ring, hex socket



### Technical specification

#### DIMENSIONS, MM

d	30,000
D	85,000
B	100,000
B1	35,000
B2	63,000
F	M30x1.5

**WEIGHT, KG** 2,030

**MANUFACTURER** [McGill](#)

#### INTERCHANGE

ABC	<a href="#">CF 30-1 BUU</a>
IKO	<a href="#">CF 30-1 BUU</a>
INA	<a href="#">KR 85 PPX</a>
SKF	<a href="#">KR 85 PPX</a>