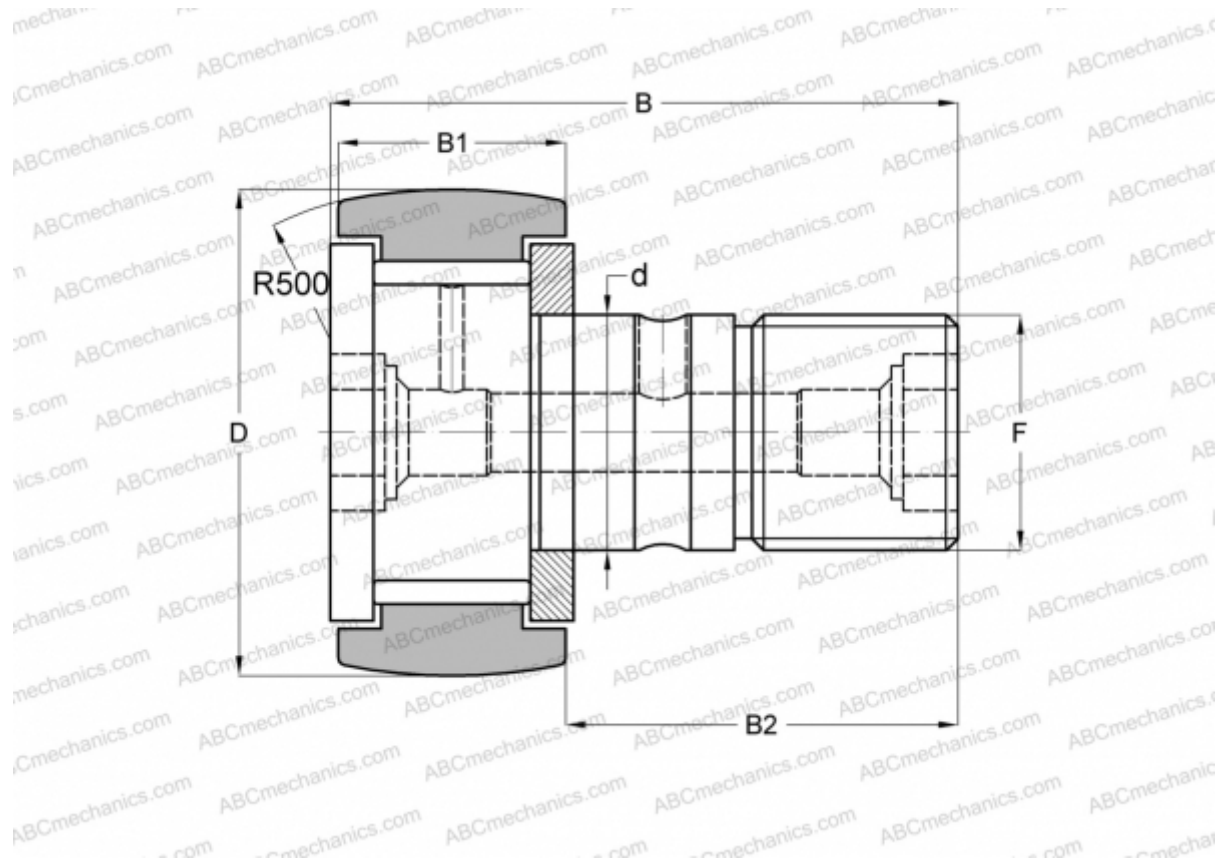


KRV 22 SKF

Cam followers

TYPE: Roller bearings, Stud type track rollers, With axial guidance, full complement bearing, gap seal on both side



Technical specification

DIMENSIONS, MM

d	10,000
D	22,000
B	36,000
B1	12,000
B2	23,000
F	M 10x1

WEIGHT, KG 0,045

MANUFACTURER [SKF](#)

INTERCHANGE

ABC	KRV 22
INA	KRV 22
IKO	CF 10 VRM
McGill	MCF-22

CALCULATION DATA

Basic dynamic load rating, C	6,050 kN
Basic static load rating, Co	9,150 kN
Fatigue load limit, Pu	1,040 kN
Limiting speed	3600 r/min

REPLACES

KRV 22 B