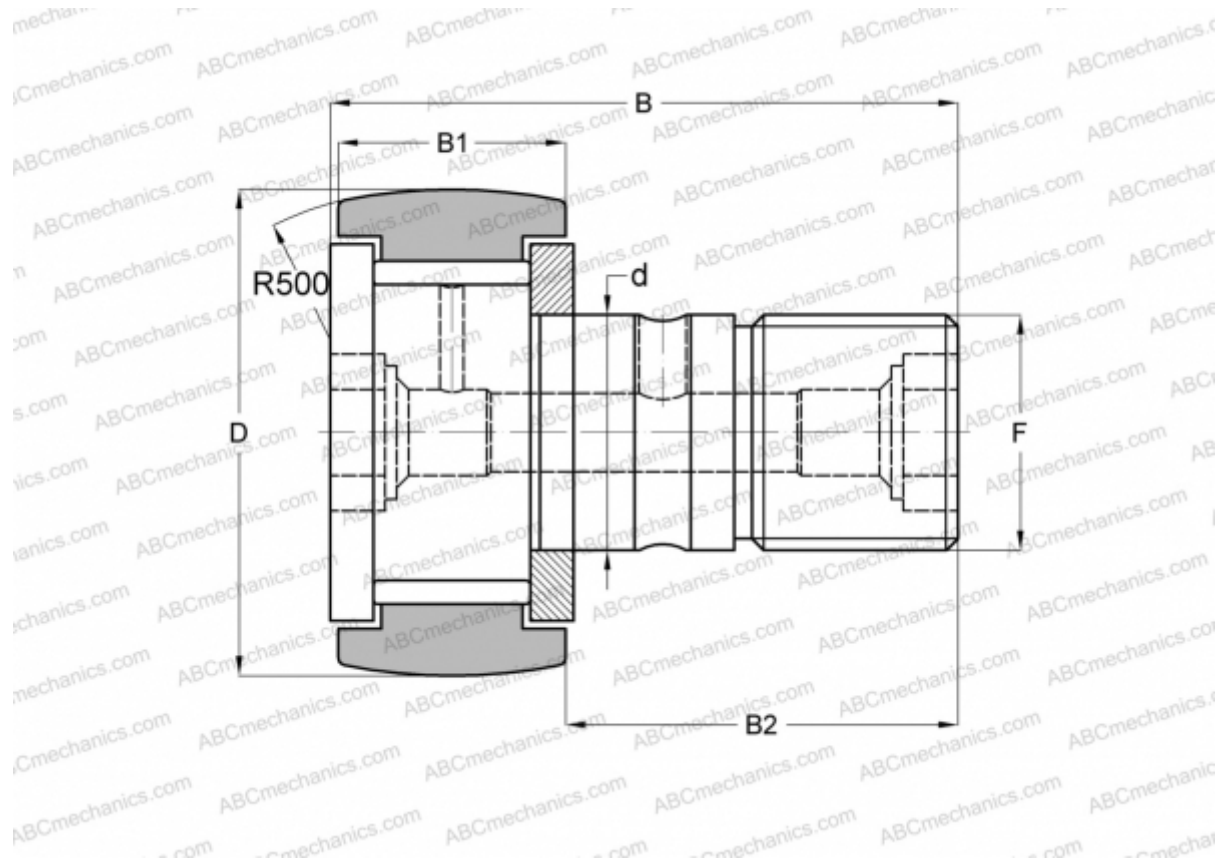


KRV 26 SKF

Cam followers

TYPE: Roller bearings, Stud type track rollers, With axial guidance, full complement bearing, gap seal on both side



Technical specification

DIMENSIONS, MM

d	10,000
D	26,000
B	36,000
B1	12,000
B2	23,000
F	M 10x1

WEIGHT, KG 0,059

MANUFACTURER [SKF](#)

INTERCHANGE

ABC	KRV 26
INA	KRV 26
IKO	CF 10-1 VRM
McGill	MCF-26

CALCULATION DATA

Basic dynamic load rating, C	6,820 kN
Basic static load rating, Co	11,000 kN
Fatigue load limit, Pu	1,250 kN
Limiting speed	3600 r/min

REPLACES

KRV 26 B