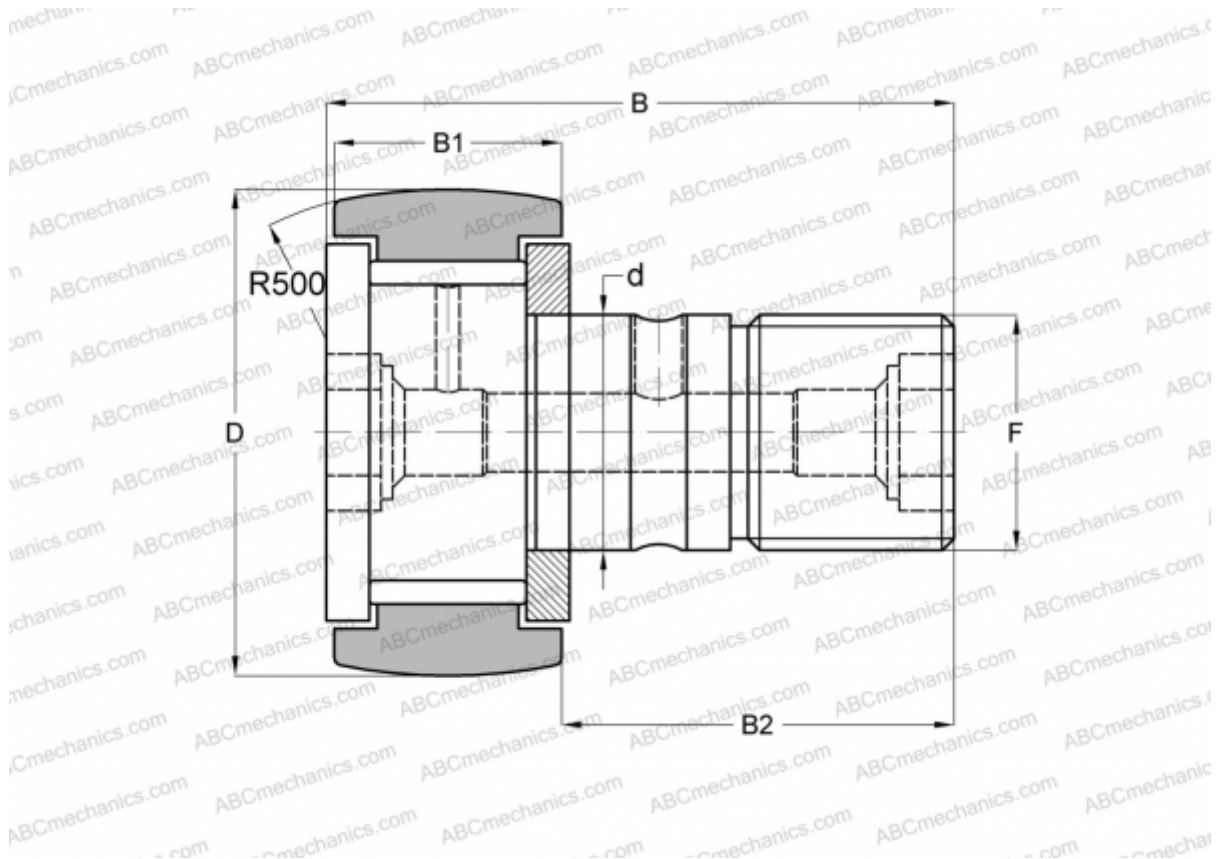


## KRV 30 ABC

Cam followers

TYPE: Roller bearings, Stud type track rollers, With axial guidance, full complement bearing, gap seal on both side



### Technical specification

#### DIMENSIONS, MM

d	12,000
D	30,000
B	40,000
B1	14,000
B2	25,000
F	M12x1.5

**WEIGHT, KG** 0,091

**MANUFACTURER** [ABC](#)

#### INTERCHANGE

INA	<a href="#">KRV 30</a>
SKF	<a href="#">KRV 30</a>
IKO	<a href="#">CF 12 VR</a>
McGill	<a href="#">MCF-30</a>