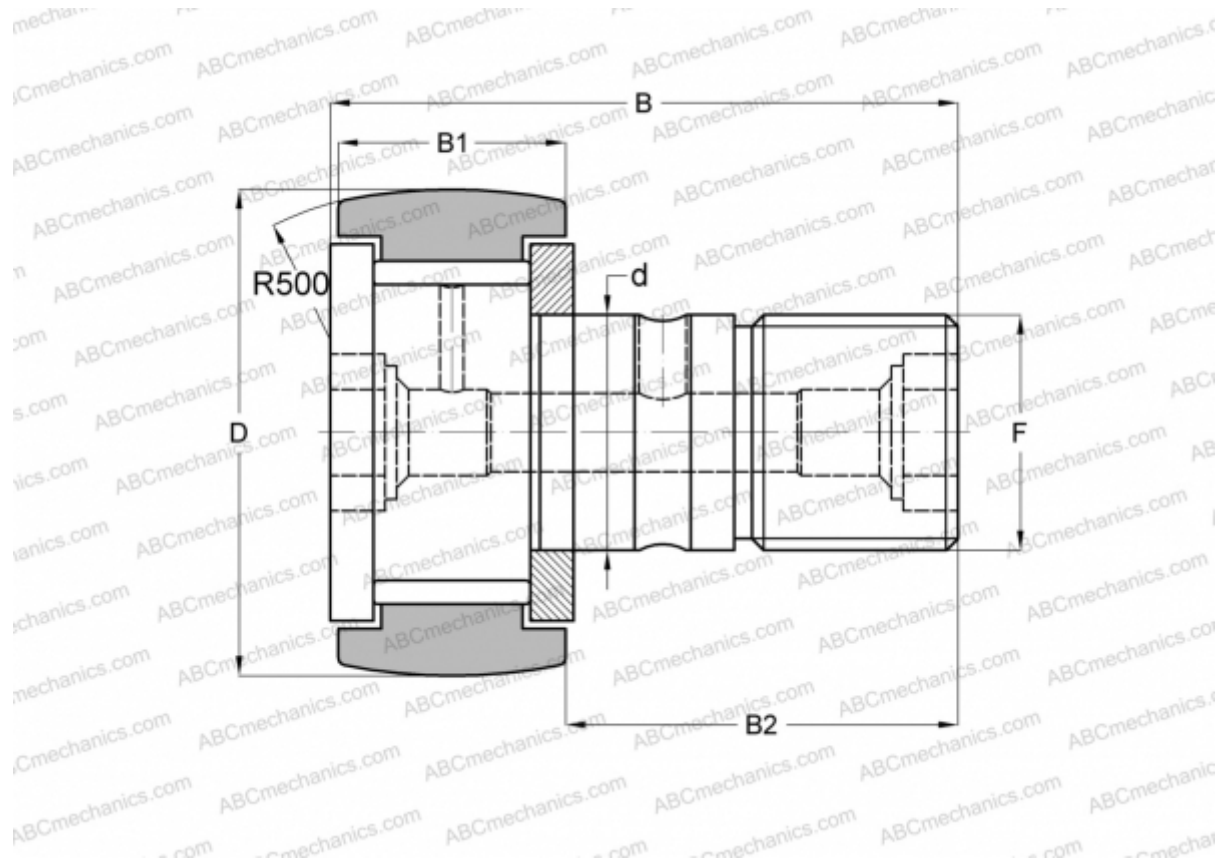


## CFKR 26 VR IKO

Cam followers

TYPE: Roller bearings, Stud type track rollers, With axial guidance, full complement bearing, gap seal on both side, double hex hole



### Technical specification

#### DIMENSIONS, MM

d	10,000
D	26,000
B	36,200
B1	12,000
B2	23,000
F	M10x1.0

**WEIGHT, KG** 0,059

**MANUFACTURER** [IKO](#)

#### INTERCHANGE

ABC [CFKR 26 VR](#)

#### CALCULATION DATA

Basic dynamic load rating, C	9,570 kN
Basic static load rating, Co	14,500 kN