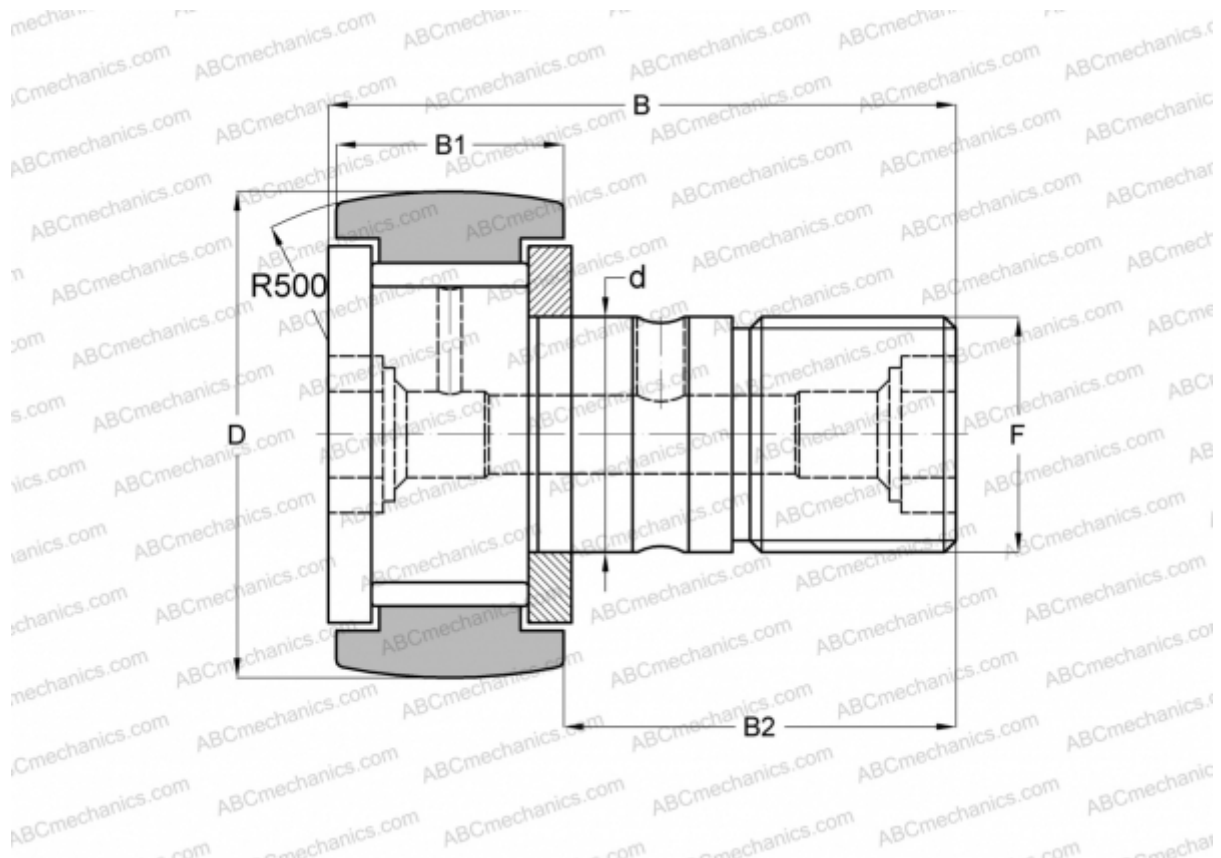


## CFKR 32 VR ABC

Cam followers

TYPE: Roller bearings, Stud type track rollers, With axial guidance, full complement bearing, gap seal on both side, double hex hole



### Technical specification

#### DIMENSIONS, MM

d	12,000
D	32,000
B	40,200
B1	14,000
B2	25,000
F	M12x1.5

**MANUFACTURER** [ABC](#)

#### INTERCHANGE

IKO	<a href="#">CFKR 32 VR</a>
JNS	<a href="#">CF 12 VR-1-AB</a>
THK	<a href="#">CF 12 VR-1-AB</a>