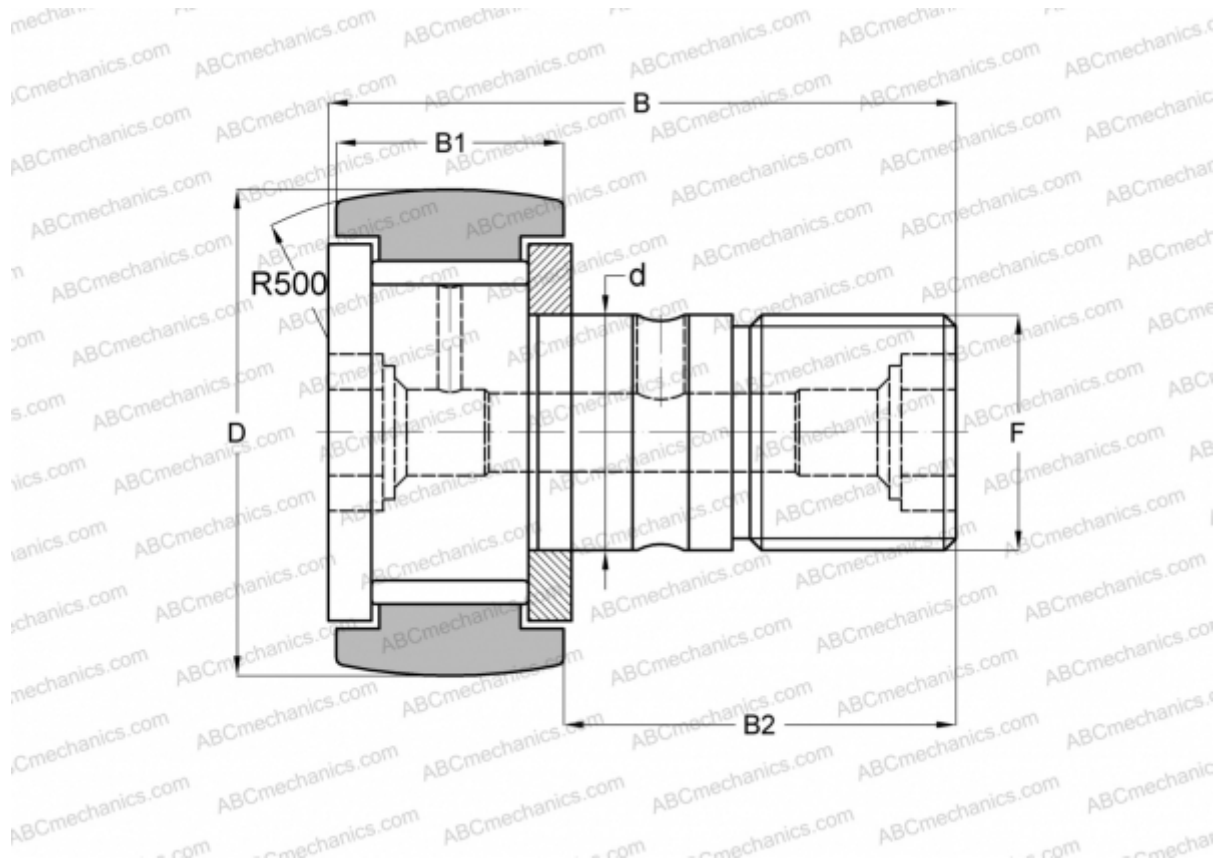


## CF 12 VR-1-AB JNS

Cam followers

TYPE: Roller bearings, Stud type track rollers, With axial guidance, full complement bearing, gap seal on both side, double hex hole



### Technical specification

#### DIMENSIONS, MM

d	12,000
D	32,000
B	40,200
B1	14,000
B2	25,000
F	M12x1.5

**WEIGHT, KG** 0,106

**MANUFACTURER** [JNS](#)

#### INTERCHANGE

ABC	<a href="#">CFKR 32 VR</a>
IKO	<a href="#">CFKR 32 VR</a>
THK	<a href="#">CF 12 VR-1-AB</a>