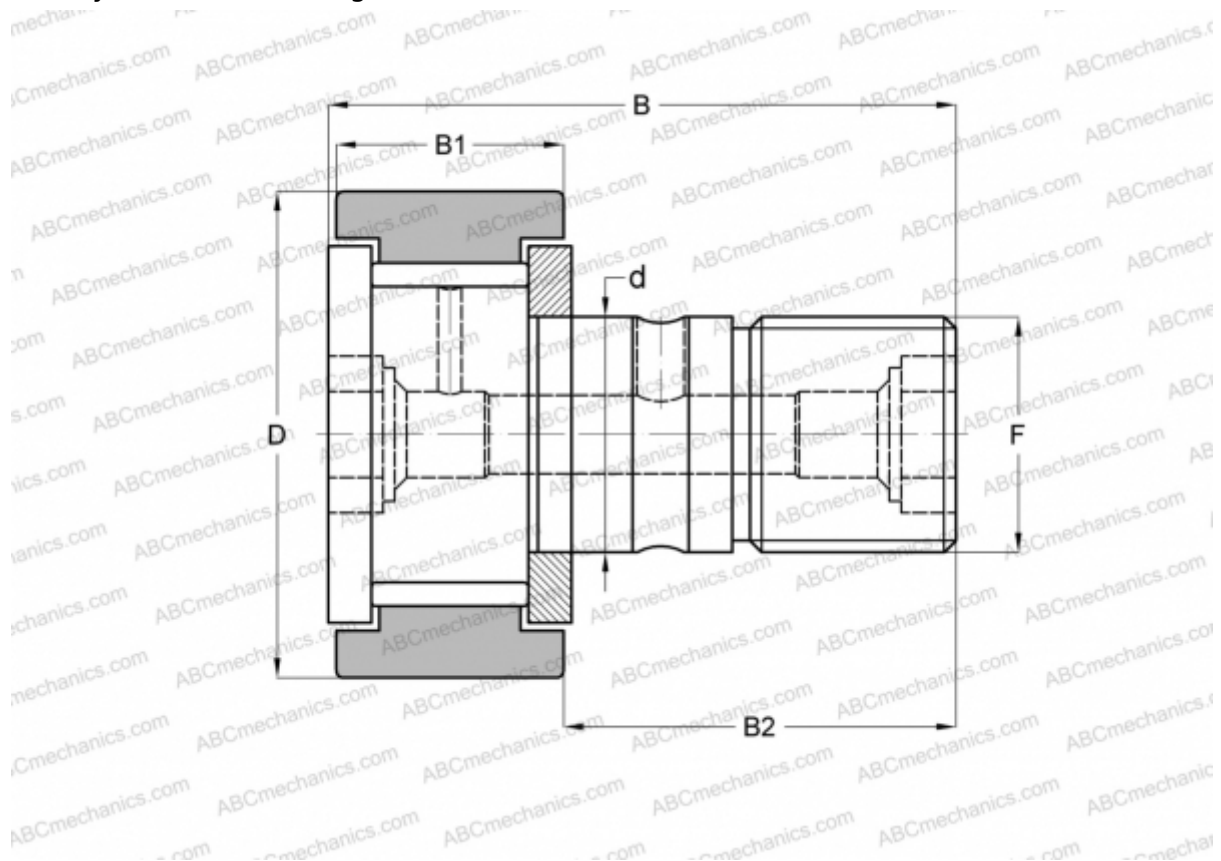


KRV 16 X SKF

Cam followers

TYPE: Roller bearings, Stud type track rollers, With axial guidance, full complement bearing, gap seal on both side, cylindrical outer ring



Technical specification

DIMENSIONS, MM

d	6,000
D	16,000
B	28,000
B1	11,000
B2	16,000
F	M6

WEIGHT, KG 0,019

MANUFACTURER [SKF](#)

INTERCHANGE

ABC	KRV 16 X
INA	KRV 16 X
IKO	CF 6 V
McGill	MCF-16-X

CALCULATION DATA

Basic dynamic load rating, C	4,730 kN
Basic static load rating, Co	6,550 kN
Fatigue load limit, Pu	0,720 kN
Limiting speed	4300 r/min