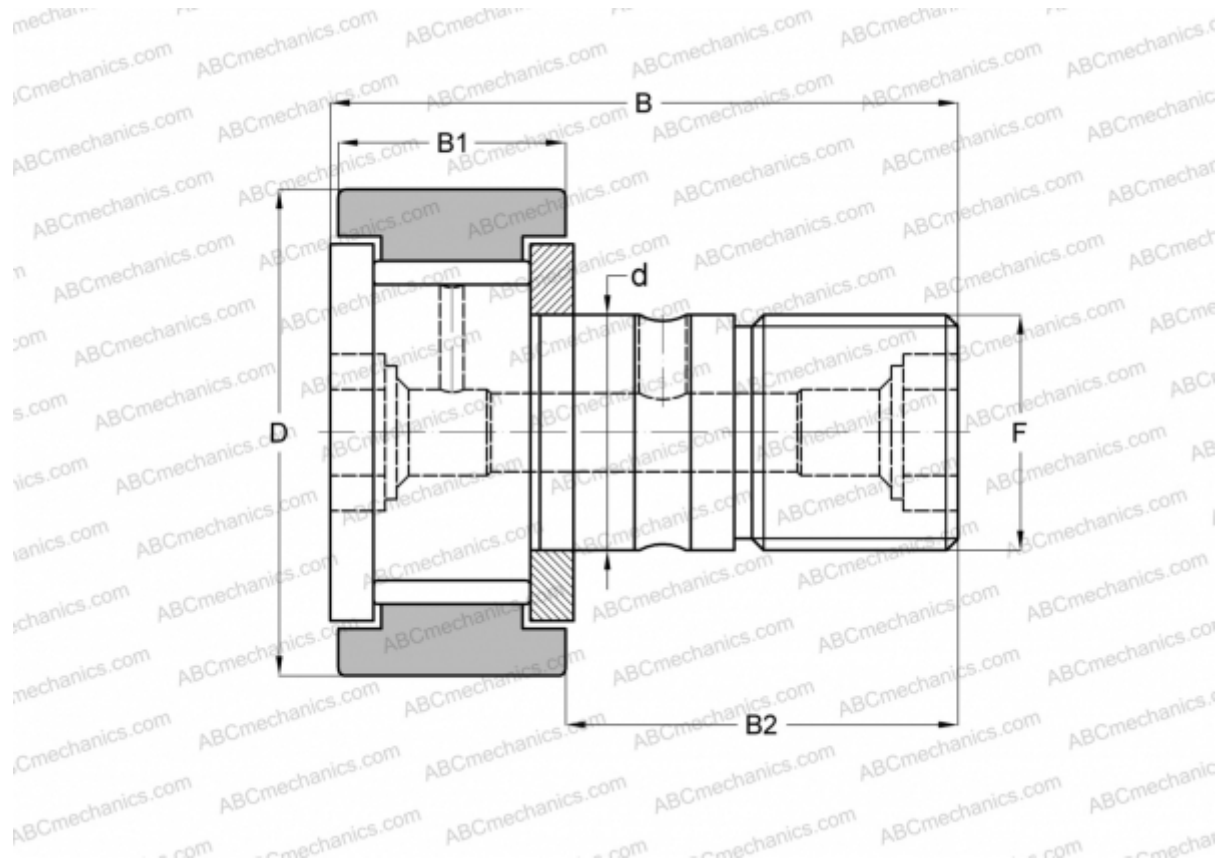


## MCF-22-X McGill

Cam followers

TYPE: Roller bearings, Stud type track rollers, With axial guidance, full complement bearing, gap seal on both side, cylindrical outer ring



### Technical specification

#### DIMENSIONS, MM

d	10,000
D	22,000
B	36,000
B1	12,000
B2	23,000
F	M10x1

**WEIGHT, KG** 0,050

**MANUFACTURER** [McGill](#)

#### INTERCHANGE

ABC	<a href="#">KRV 22 X</a>
INA	<a href="#">KRV 22 X</a>
SKF	<a href="#">KRV 22 X</a>
IKO	<a href="#">CF 10 VM</a>