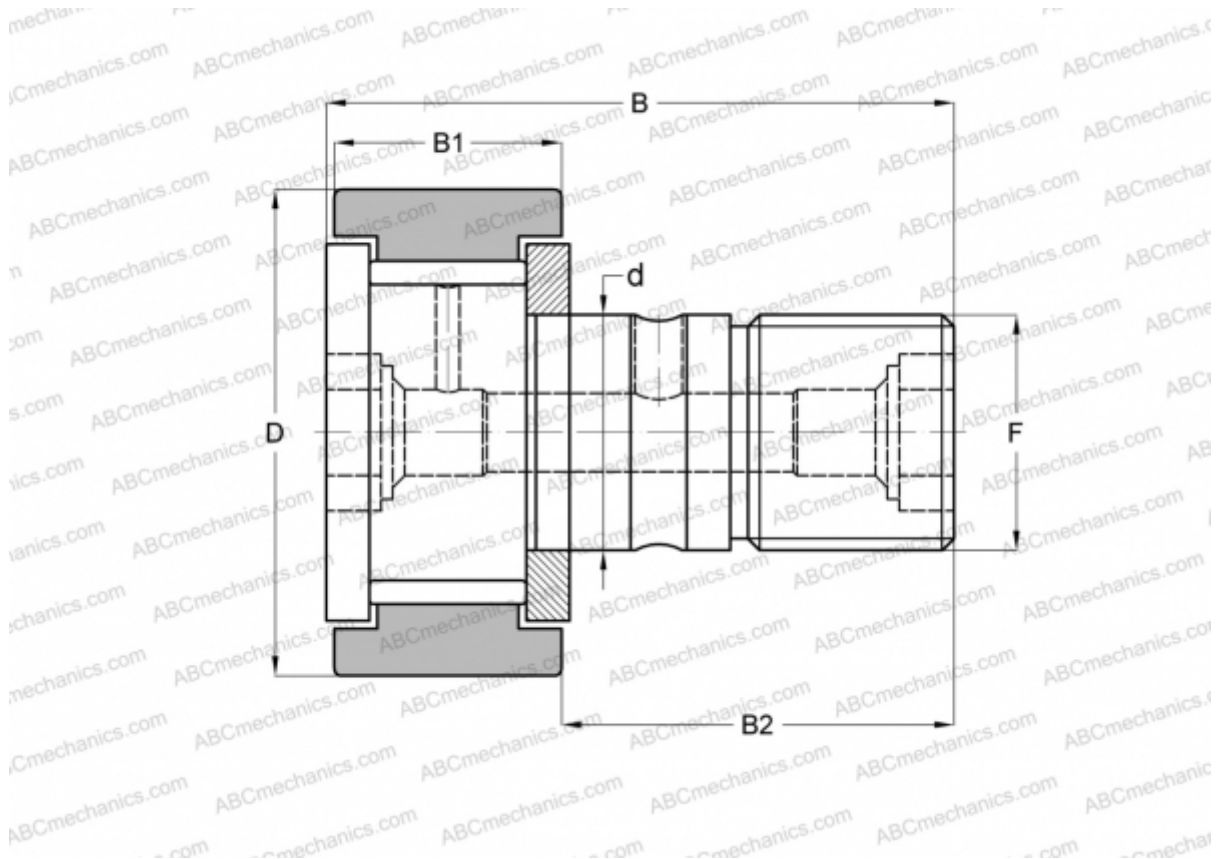


## CF 12-1 V IKO

Cam followers

TYPE: Roller bearings, Stud type track rollers, With axial guidance, full complement bearing, gap seal on both side, cylindrical outer ring



### Technical specification

#### DIMENSIONS, MM

d	12,000
D	32,000
B	40,200
B1	14,000
B2	25,000
F	M12x1.5

**WEIGHT, KG** 0,107

**MANUFACTURER** [IKO](#)

#### INTERCHANGE

ABC	<a href="#">KRV 32 X</a>
INA	<a href="#">KRV 32 X</a>
SKF	<a href="#">KRV 32 X</a>
McGill	<a href="#">MCF-32-X</a>

#### CALCULATION DATA

Basic dynamic load rating, C	13,500 kN
Basic static load rating, Co	19,700 kN