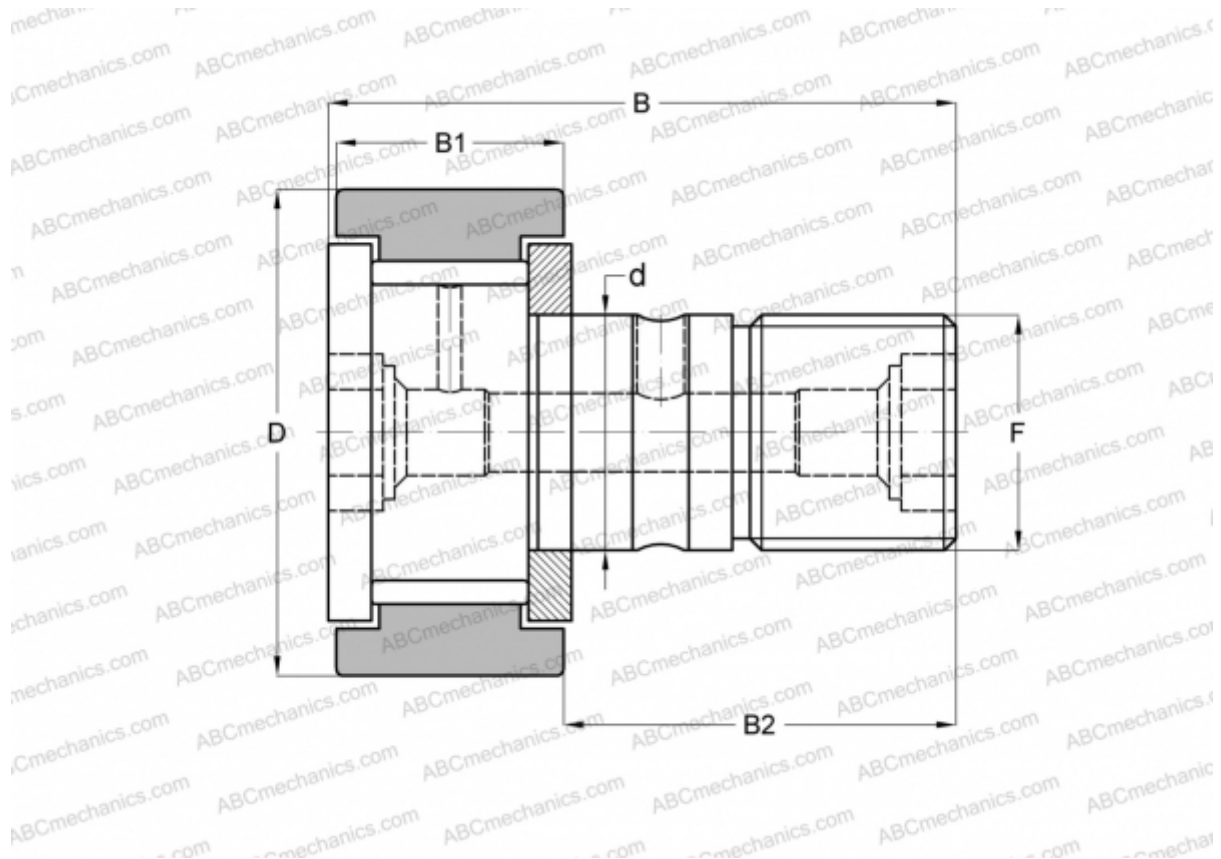


MCF-35-X McGill

Cam followers

TYPE: Roller bearings, Stud type track rollers, With axial guidance, full complement bearing, gap seal on both side, cylindrical outer ring



Technical specification

DIMENSIONS, MM

d	16,000
D	35,000
B	52,000
B1	18,000
B2	32,500
F	M16x1.5

WEIGHT, KG 0,177

MANUFACTURER [McGill](#)

INTERCHANGE

ABC	KRV 35 X
INA	KRV 35 X
SKF	KRV 35 X
IKO	CF 16 V