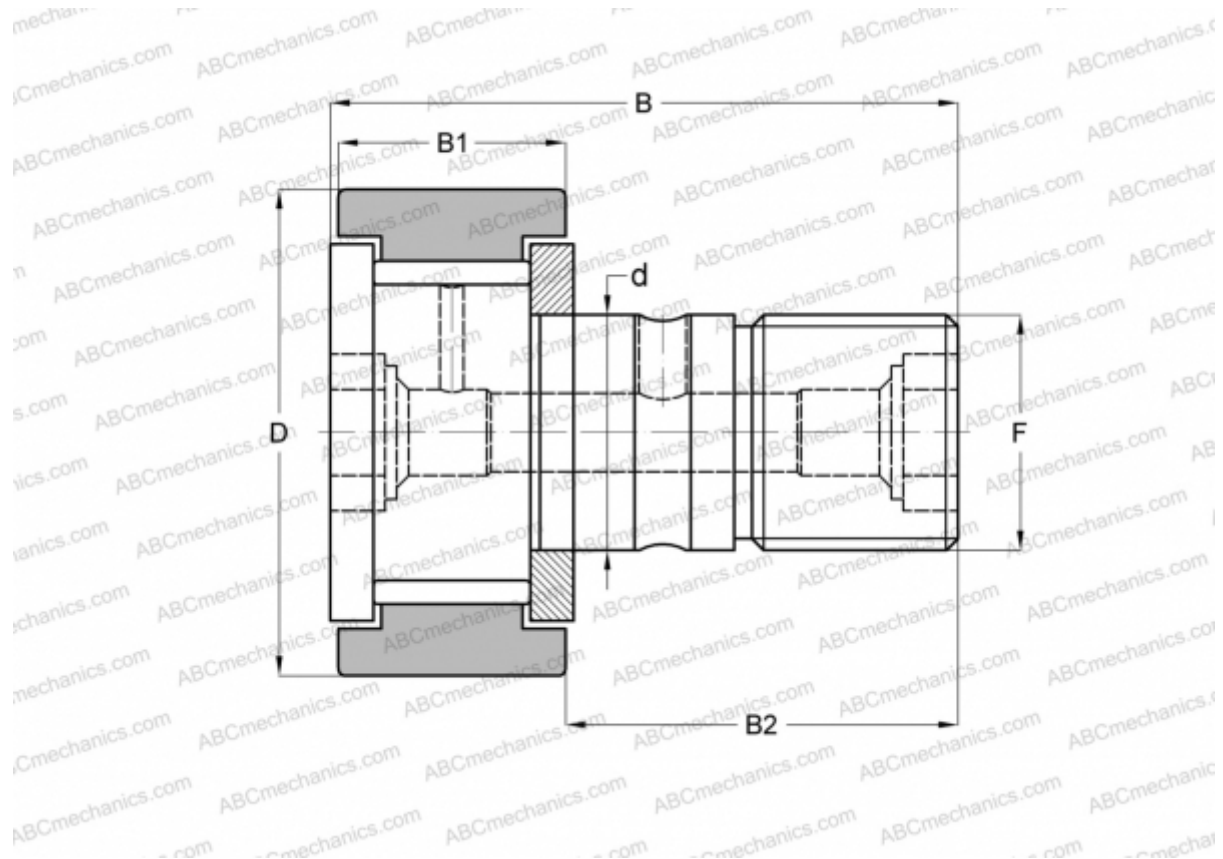


## KRV 40 X SKF

Cam followers

TYPE: Roller bearings, Stud type track rollers, With axial guidance, full complement bearing, gap seal on both side, cylindrical outer ring



### Technical specification

#### DIMENSIONS, MM

d	18,000
D	40,000
B	58,000
B1	20,000
B2	36,500
F	M 18x1.5

**WEIGHT, KG** 0,247

**MANUFACTURER** [SKF](#)

#### INTERCHANGE

ABC	<a href="#">KRV 40 X</a>
INA	<a href="#">KRV 40 X</a>
IKO	<a href="#">CF 18 V</a>
McGill	<a href="#">MCF-40-X</a>

#### CALCULATION DATA

Basic dynamic load rating, C	14,200 kN
Basic static load rating, Co	26,500 kN
Fatigue load limit, Pu	3,100 kN
Limiting speed	2200 r/min