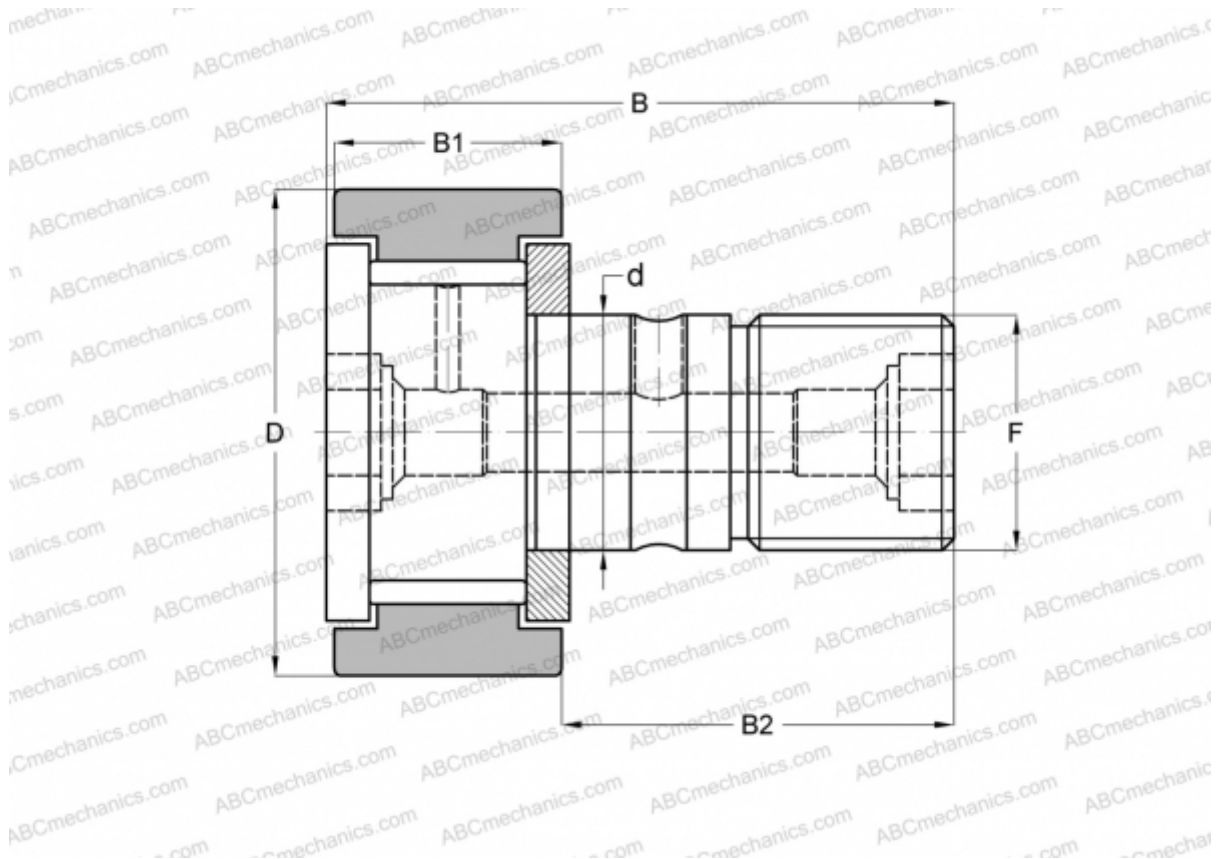


KRV 47 X SKF

Cam followers

TYPE: Roller bearings, Stud type track rollers, With axial guidance, full complement bearing, gap seal on both side, cylindrical outer ring



Technical specification

DIMENSIONS, MM

d	20,000
D	47,000
B	66,000
B1	24,000
B2	40,500
F	M 20x1.5

WEIGHT, KG 0,390

MANUFACTURER [SKF](#)

INTERCHANGE

ABC	KRV 47 X
INA	KRV 47 X
IKO	CF 20-1 V
McGill	MCF-47-X

CALCULATION DATA

Basic dynamic load rating, C	19,400 kN
Basic static load rating, Co	41,500 kN
Fatigue load limit, Pu	5,000 kN
Limiting speed	1900 r/min