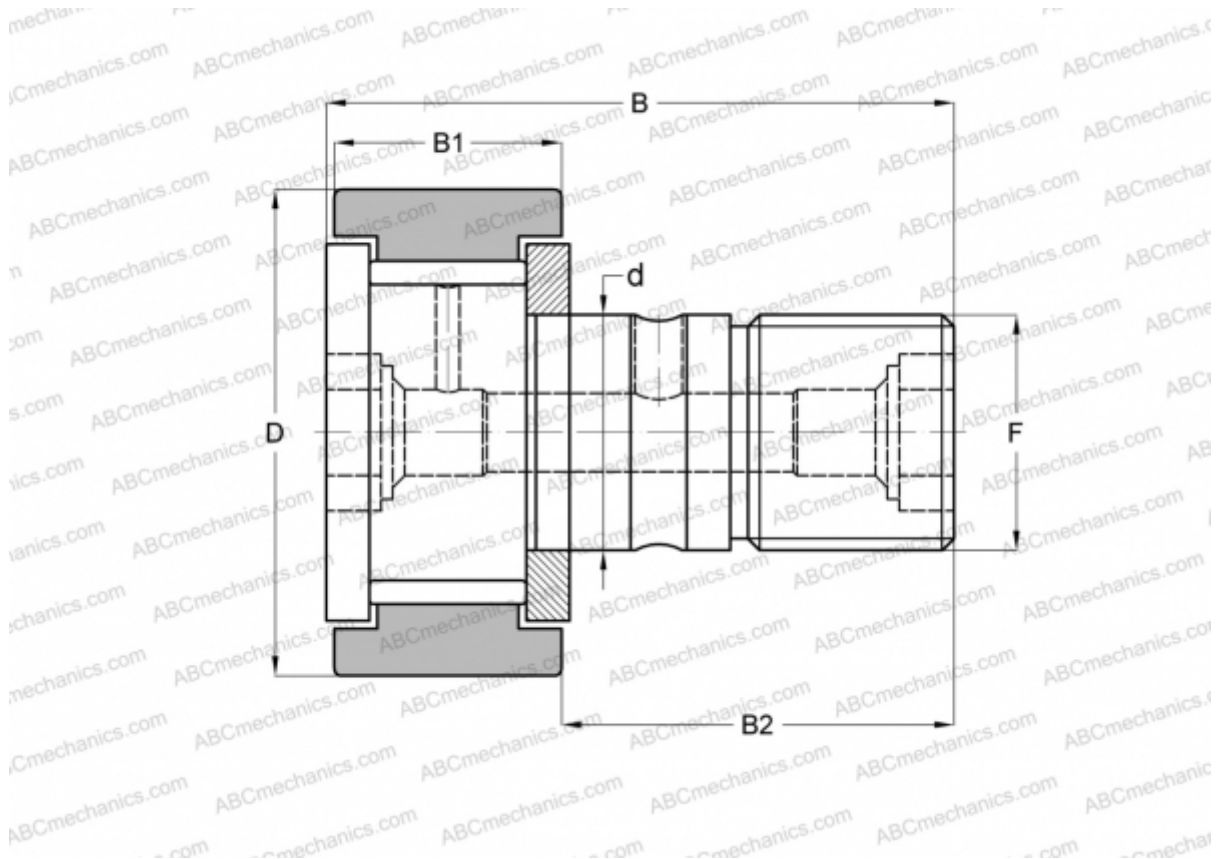


KRV 52 X SKF

Cam followers

TYPE: Roller bearings, Stud type track rollers, With axial guidance, full complement bearing, gap seal on both side, cylindrical outer ring



Technical specification

DIMENSIONS, MM

d	20,000
D	52,000
B	66,000
B1	24,000
B2	40,500
F	M 20x1.5

WEIGHT, KG 0,463

MANUFACTURER [SKF](#)

INTERCHANGE

ABC	KRV 52 X
INA	KRV 52 X
IKO	CF 20 V
McGill	MCF-52-X

CALCULATION DATA

Basic dynamic load rating, C	20,900 kN
Basic static load rating, Co	46,500 kN
Fatigue load limit, Pu	5,600 kN
Limiting speed	1900 r/min