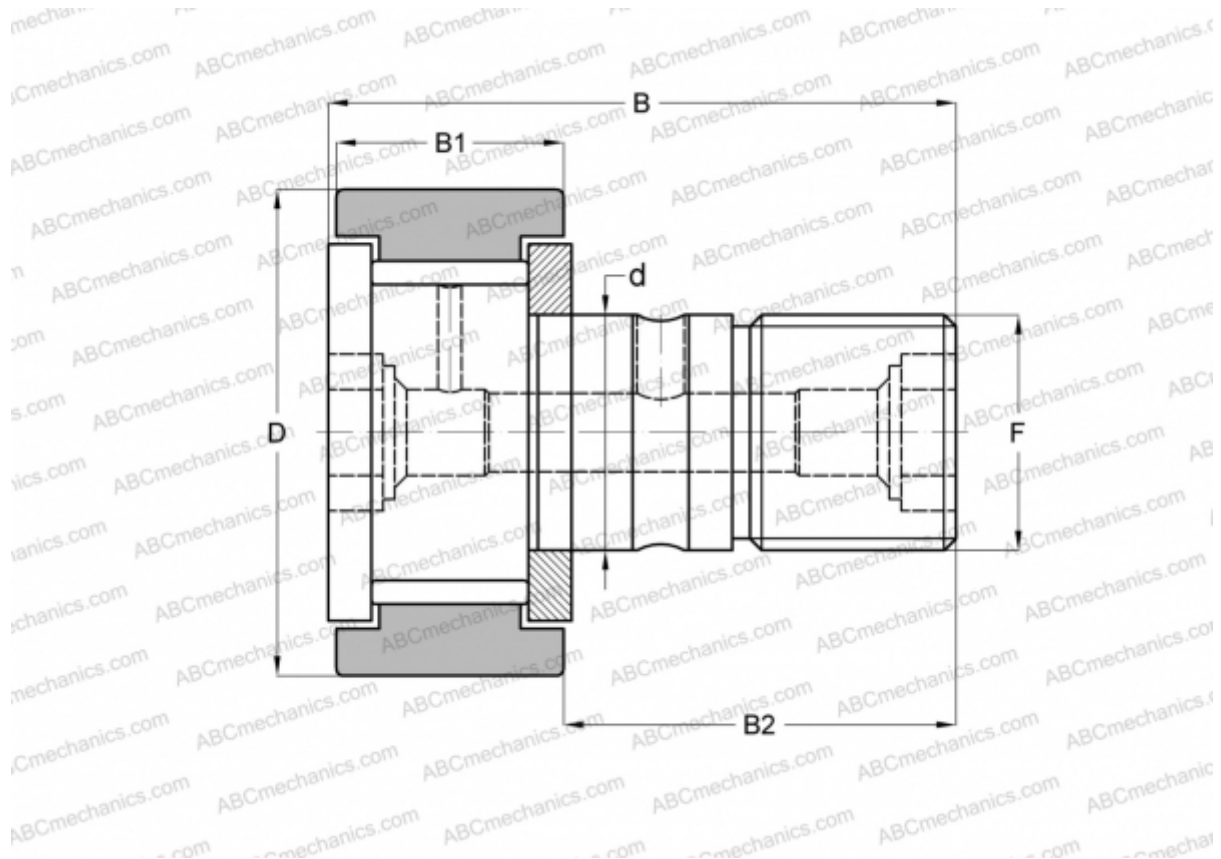


MCF-80-X McGill

Cam followers

TYPE: Roller bearings, Stud type track rollers, With axial guidance, full complement bearing, gap seal on both side, cylindrical outer ring



Technical specification

DIMENSIONS, MM

| | |
|----|---------|
| d | 30,000 |
| D | 80,000 |
| B | 100,000 |
| B1 | 35,000 |
| B2 | 63,000 |
| F | M30x1.5 |

WEIGHT, KG 1,665

MANUFACTURER [McGill](#)

INTERCHANGE

| | |
|-----|--------------------------|
| ABC | KRV 80 X |
| INA | KRV 80 X |
| SKF | KRV 80 X |
| IKO | CF 30 V |