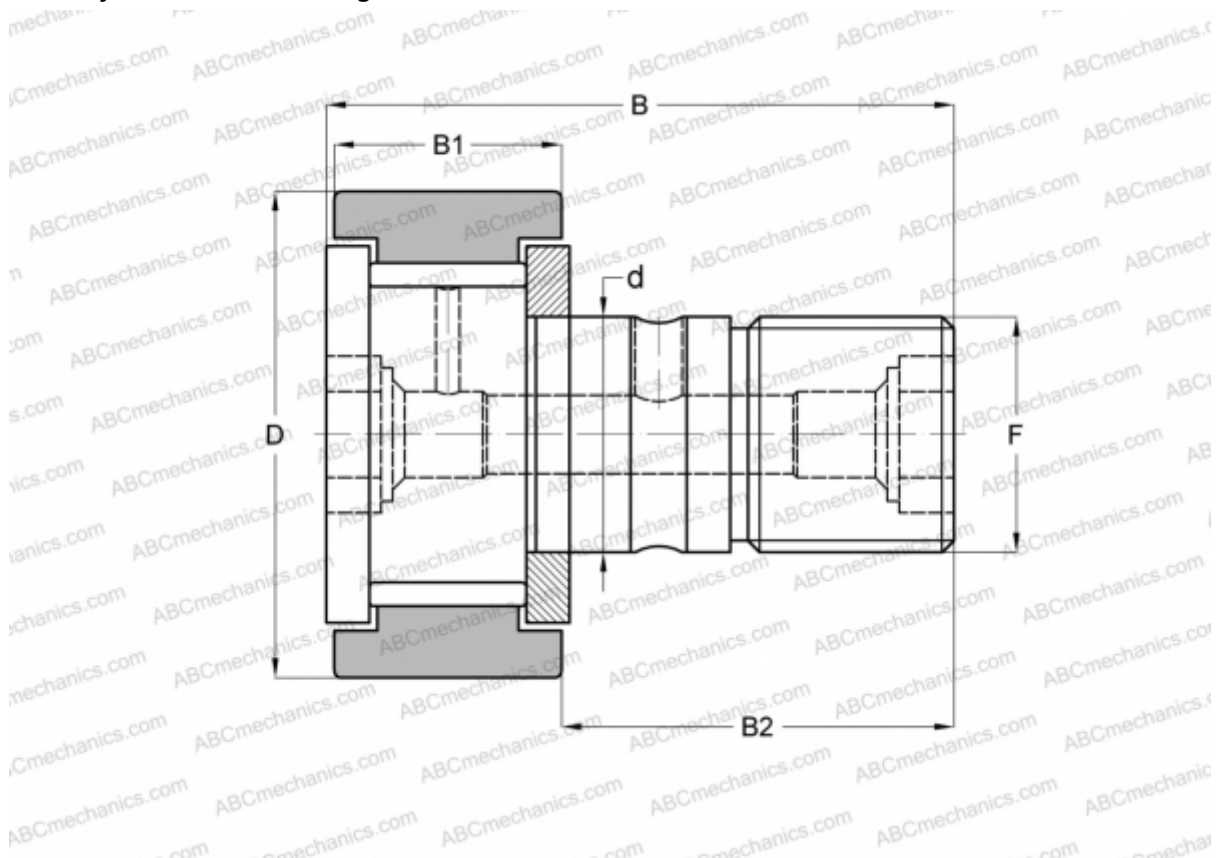


CFKR 26 V ABC

Cam followers

TYPE: Roller bearings, Stud type track rollers, With axial guidance, full complement bearing, gap seal on both side, cylindrical outer ring, double hex hole



Technical specification

DIMENSIONS, MM

d	10,000
D	26,000
B	36,200
B1	12,000
B2	23,000
F	M10x1.0

WEIGHT, KG 0,059

MANUFACTURER [ABC](#)

INTERCHANGE

IKO [CFKR 26 V](#)