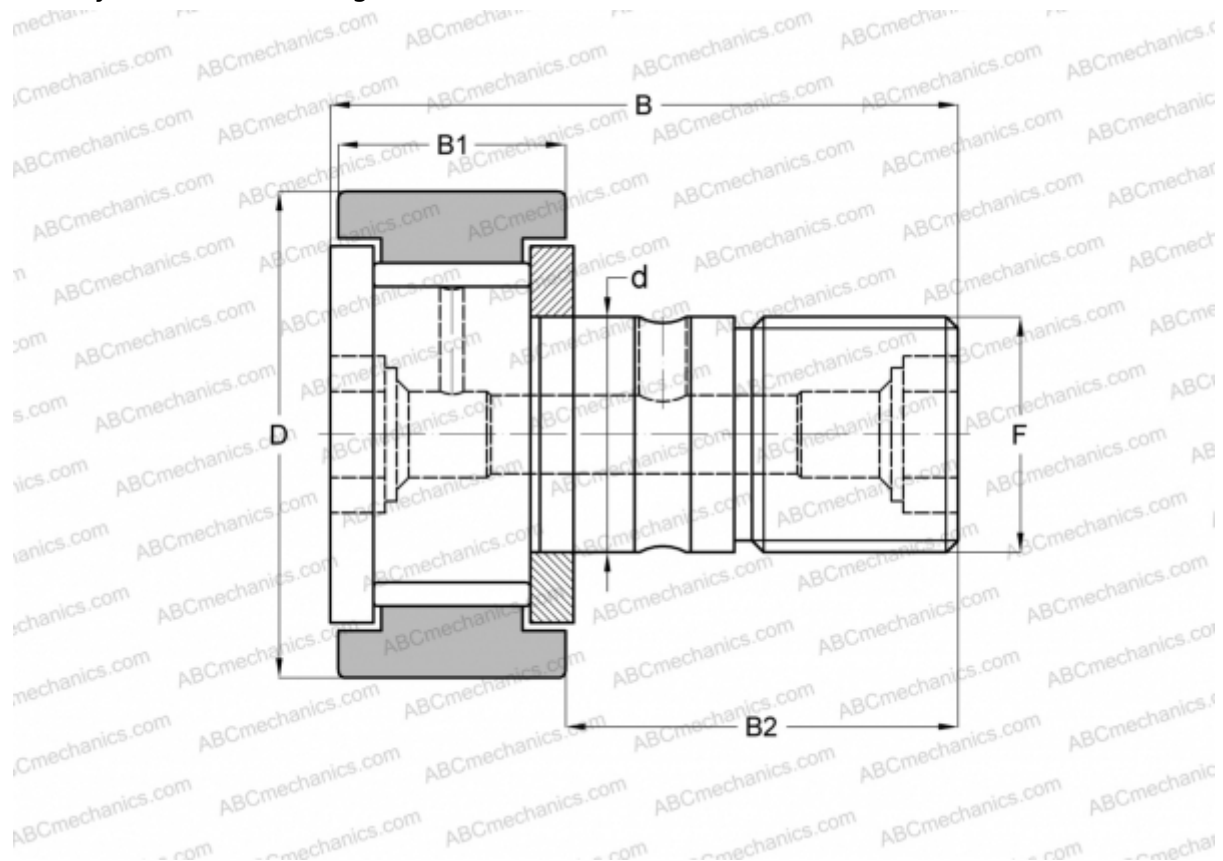


CFKR 32 V ABC

Cam followers

TYPE: Roller bearings, Stud type track rollers, With axial guidance, full complement bearing, gap seal on both side, cylindrical outer ring, double hex hole



Technical specification

DIMENSIONS, MM

d	12,000
D	32,000
B	40,200
B1	14,000
B2	25,000
F	M12x1.5

WEIGHT, KG 0,106

MANUFACTURER [ABC](#)

INTERCHANGE

IKO	CFKR 32 V
JNS	CF 12-1 V-AB
THK	CF 12-1 V-AB