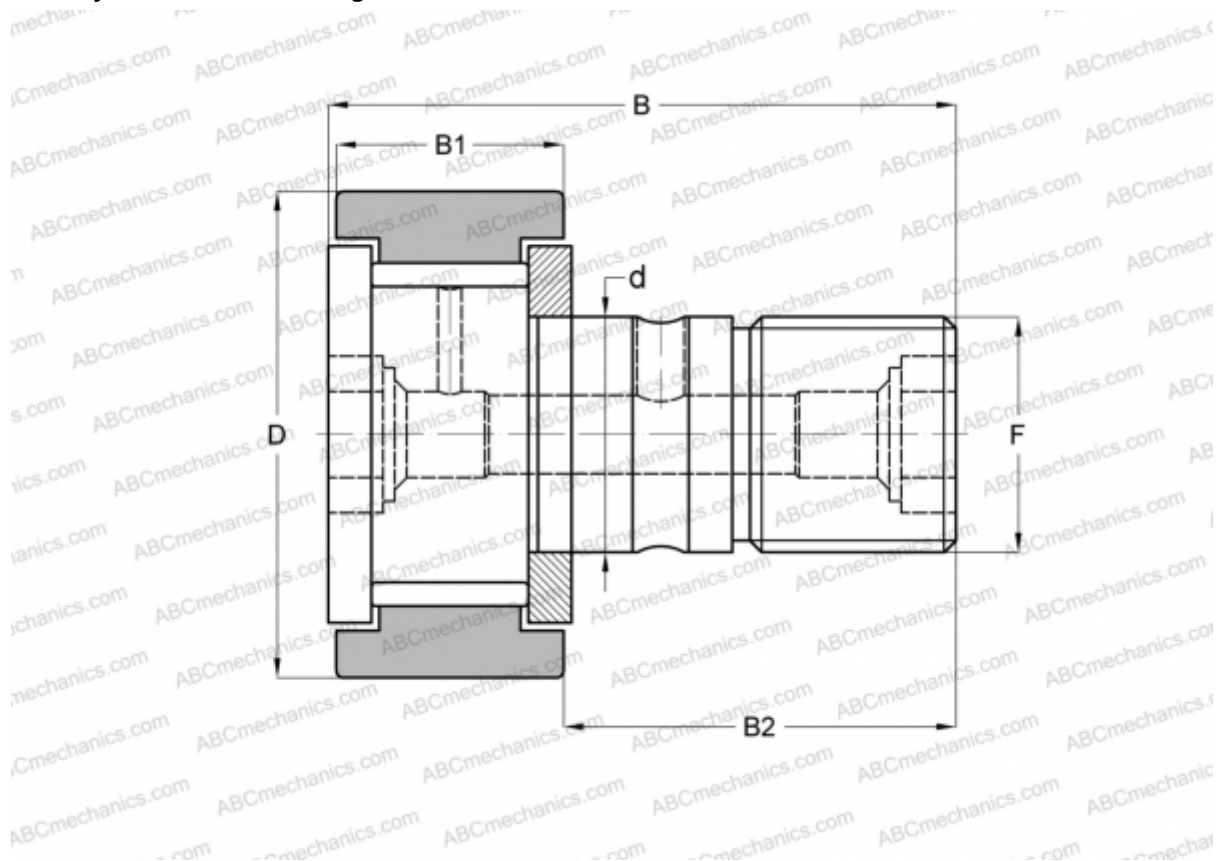


## CFKR 35 V IKO

Cam followers

TYPE: Roller bearings, Stud type track rollers, With axial guidance, full complement bearing, gap seal on both side, cylindrical outer ring, double hex hole



### Technical specification

#### DIMENSIONS, MM

d	16,000
D	35,000
B	52,100
B1	18,000
B2	32,500
F	M16x1.5

**WEIGHT, KG** 0,168

**MANUFACTURER** [IKO](#)

#### INTERCHANGE

ABC	<a href="#">CFKR 35 V</a>
JNS	<a href="#">CF 16 V-AB</a>
THK	<a href="#">CF 16 V-AB</a>

#### CALCULATION DATA

Basic dynamic load rating, C	20,700 kN
Basic static load rating, Co	37,600 kN