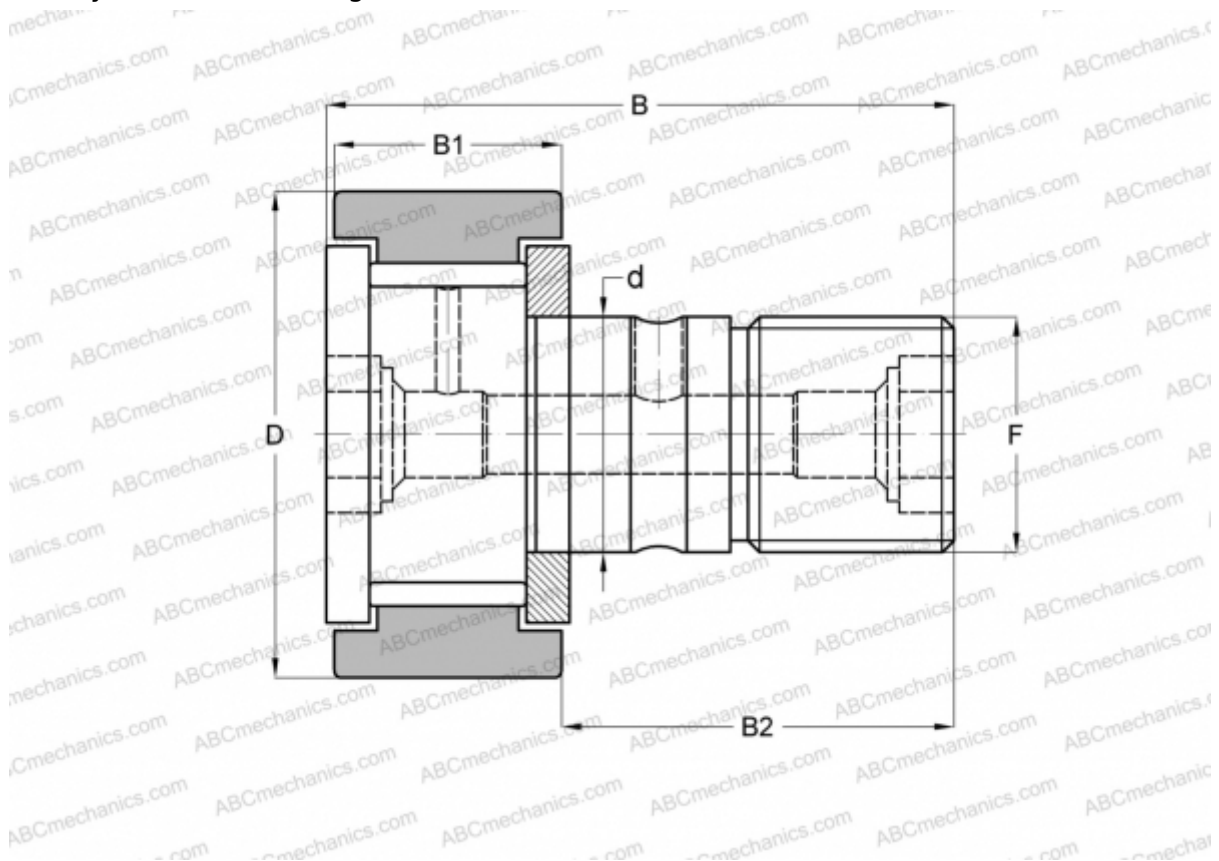


CFKR 80 V ABC

Cam followers

TYPE: Roller bearings, Stud type track rollers, With axial guidance, full complement bearing, gap seal on both side, cylindrical outer ring, double hex hole



Technical specification

DIMENSIONS, MM

d	30,000
D	80,000
B	100,000
B1	35,000
B2	63,000
F	M30x1.5

WEIGHT, KG 1,860

MANUFACTURER [ABC](#)

INTERCHANGE

IKO	CFKR 80 V
JNS	CF 30 V-AB
THK	CF 30 V-AB