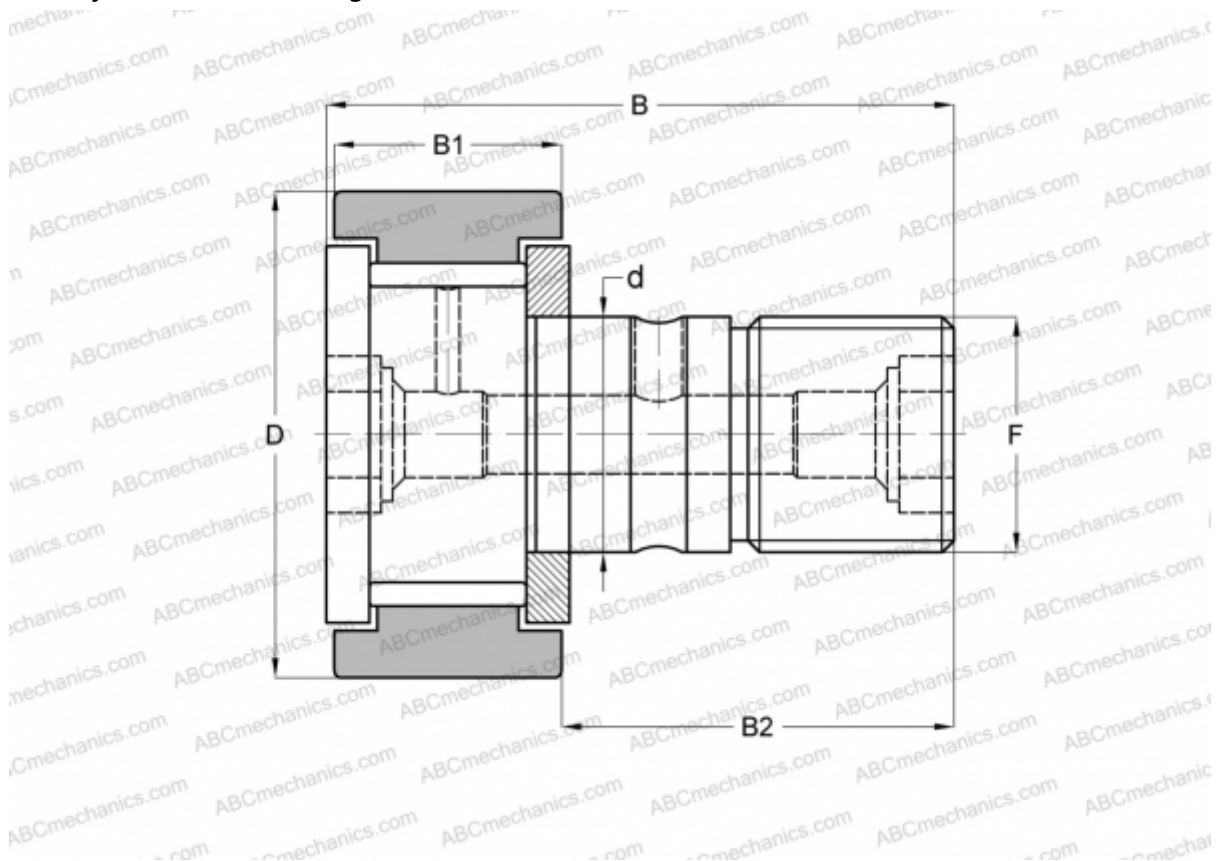


## CFKR 85 V IKO

Cam followers

TYPE: Roller bearings, Stud type track rollers, With axial guidance, full complement bearing, gap seal on both side, cylindrical outer ring, double hex hole



### Technical specification

#### DIMENSIONS, MM

|    |         |
|----|---------|
| d  | 30,000  |
| D  | 85,000  |
| B  | 100,000 |
| B1 | 35,000  |
| B2 | 63,000  |
| F  | M30x1.5 |

**WEIGHT, KG** 2,020

**MANUFACTURER** [IKO](#)

#### INTERCHANGE

|     |                              |
|-----|------------------------------|
| ABC | <a href="#">CFKR 85 V</a>    |
| JNS | <a href="#">CF 30-1 V-AB</a> |
| THK | <a href="#">CF 30-1 V-AB</a> |

#### CALCULATION DATA

|                              |            |
|------------------------------|------------|
| Basic dynamic load rating, C | 67,700 kN  |
| Basic static load rating, Co | 144,000 kN |