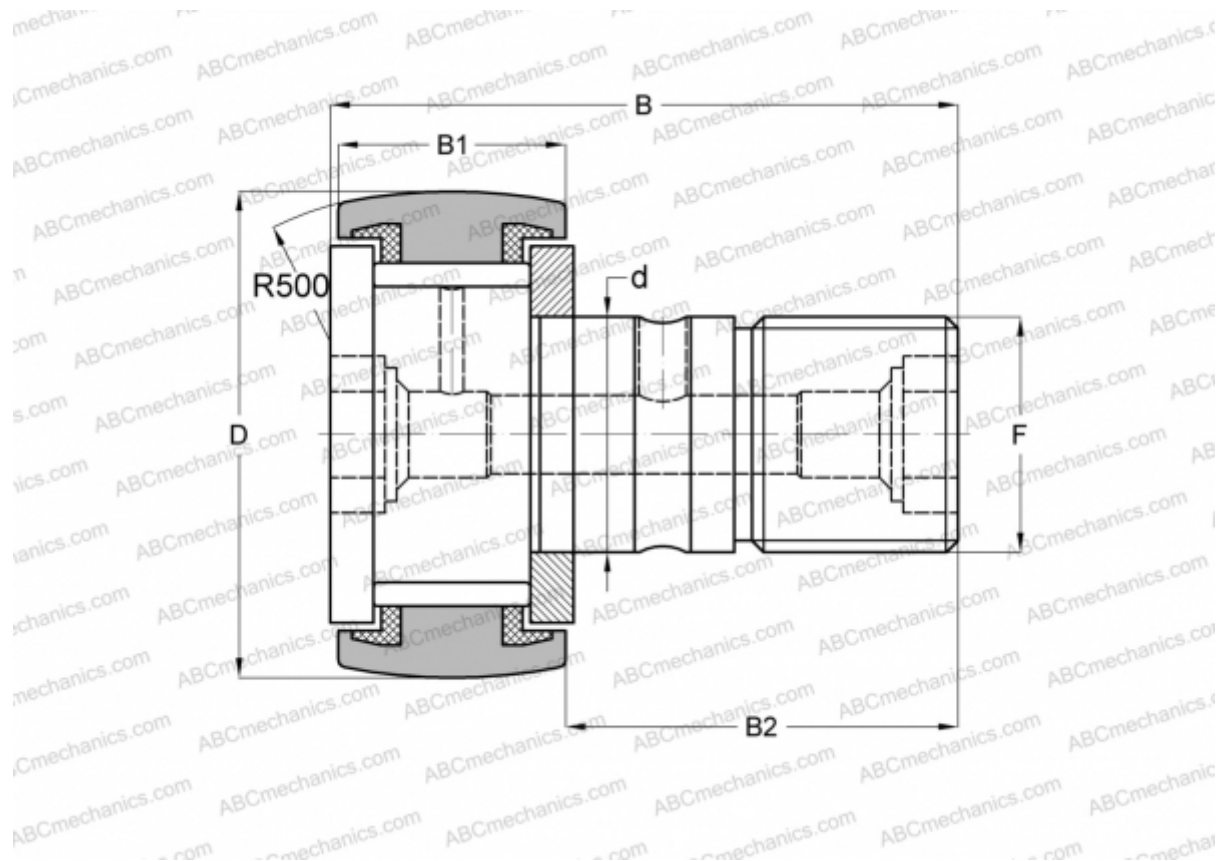


MCF-16-S McGill

Cam followers

TYPE: Roller bearings, Stud type track rollers, With axial guidance, full complement bearing, sealing rings on both sides



Technical specification

DIMENSIONS, MM

d	6,000
D	16,000
B	28,000
B1	11,000
B2	16,000
F	M6x1

WEIGHT, KG 0,023

MANUFACTURER [McGill](#)

INTERCHANGE

ABC	KRV 16 PP
INA	KRV 16 PP A
SKF	KRV 16 PPA
IKO	CF 6 VUUR