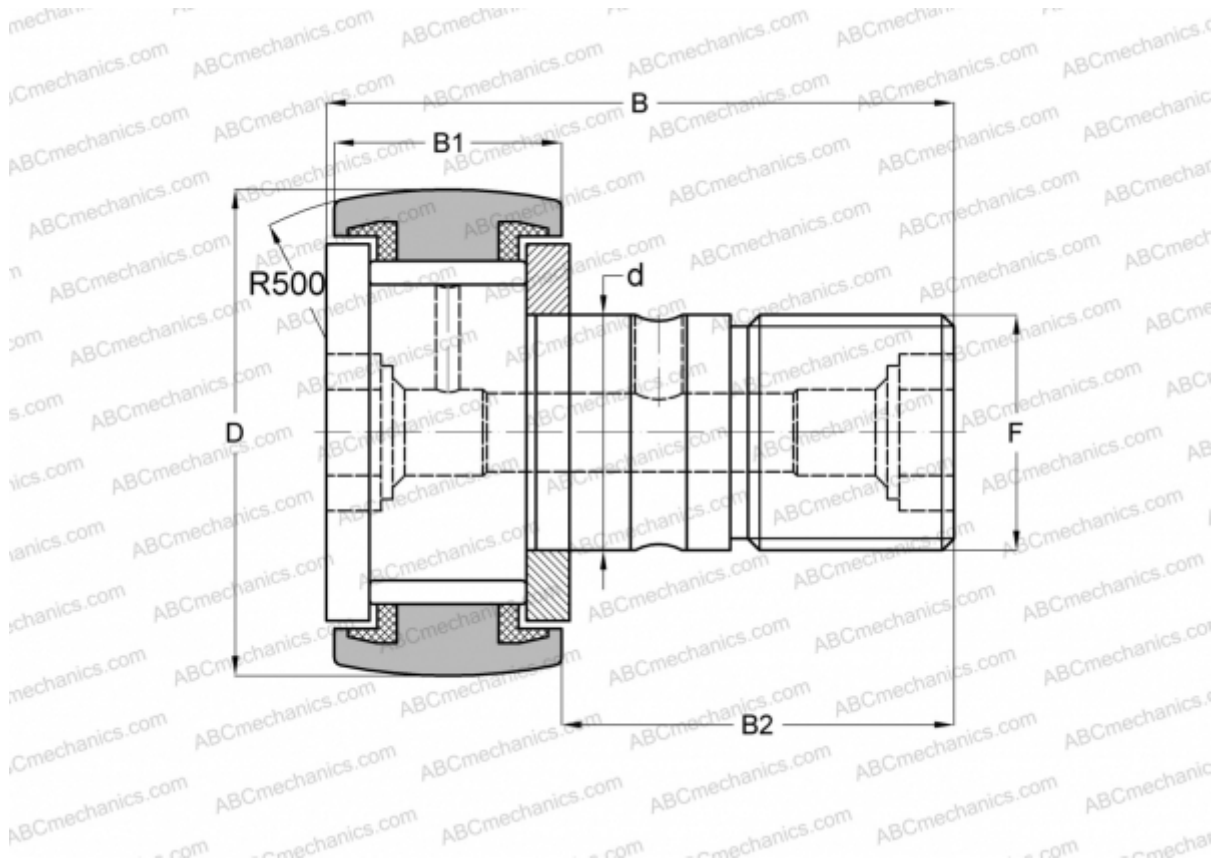


## KRV 19 PP ABC

Cam followers

TYPE: Roller bearings, Stud type track rollers, With axial guidance, full complement bearing, sealing rings on both sides



### Technical specification

#### DIMENSIONS, MM

|    |         |
|----|---------|
| d  | 8,000   |
| D  | 19,000  |
| B  | 32,000  |
| B1 | 11,000  |
| B2 | 20,000  |
| F  | M8x1.25 |

**WEIGHT, KG** 0,032

**MANUFACTURER** [ABC](#)

#### INTERCHANGE

|        |                             |
|--------|-----------------------------|
| INA    | <a href="#">KRV 19 PP A</a> |
| SKF    | <a href="#">KRV 19 PPA</a>  |
| IKO    | <a href="#">CF 8 VUUR</a>   |
| McGill | <a href="#">MCF-19-S</a>    |