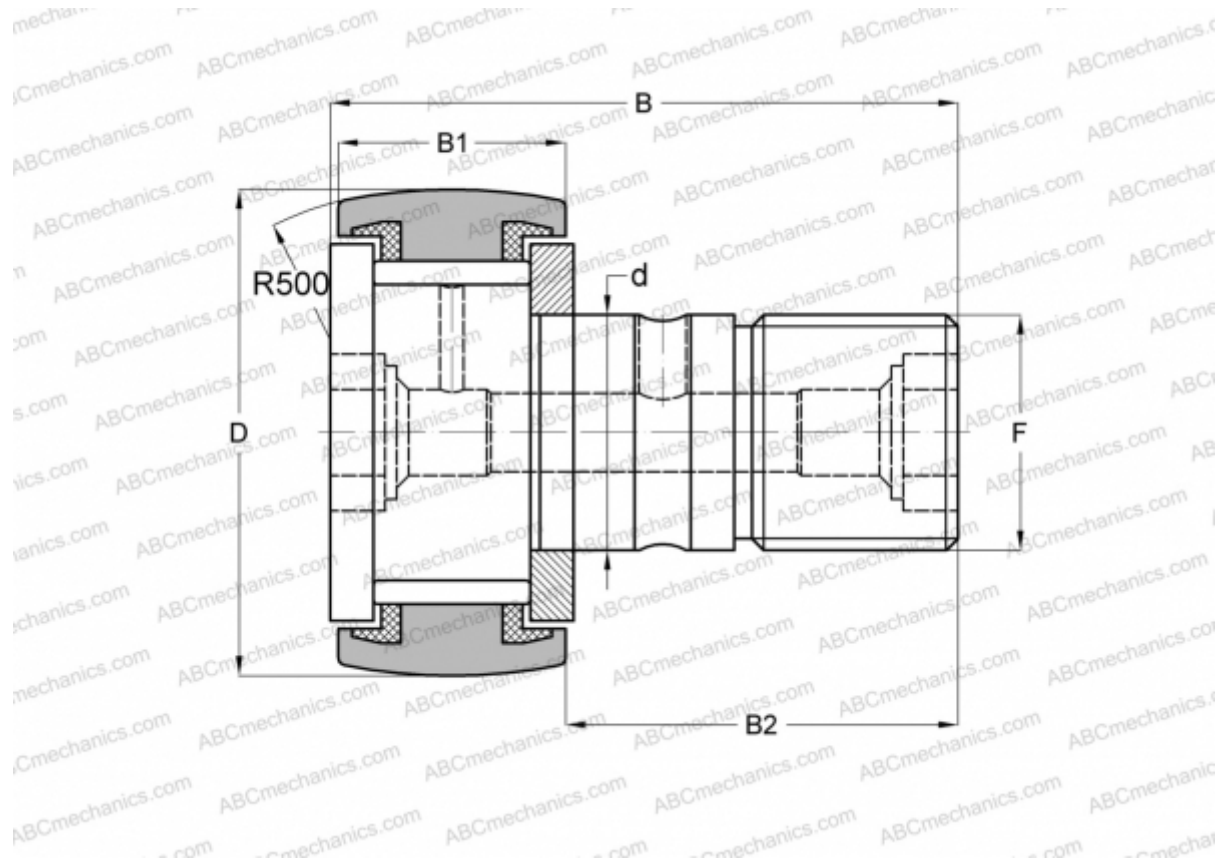


## KRV 19 PPA SKF

Cam followers

TYPE: Roller bearings, Stud type track rollers, With axial guidance, full complement bearing, sealing rings on both sides



### Technical specification

#### DIMENSIONS, MM

d	8,000
D	19,000
B	32,000
B1	11,000
B2	20,000
F	M8

**WEIGHT, KG** 0,031

**MANUFACTURER** [SKF](#)

#### INTERCHANGE

ABC	<a href="#">KRV 19 PP</a>
INA	<a href="#">KRV 19 PP A</a>
IKO	<a href="#">CF 8 VUUR</a>
McGill	<a href="#">MCF-19-S</a>

#### CALCULATION DATA

Basic dynamic load rating, C	5,280 kN
Basic static load rating, Co	8,000 kN
Fatigue load limit, Pu	0,880 kN
Limiting speed	4000 r/min