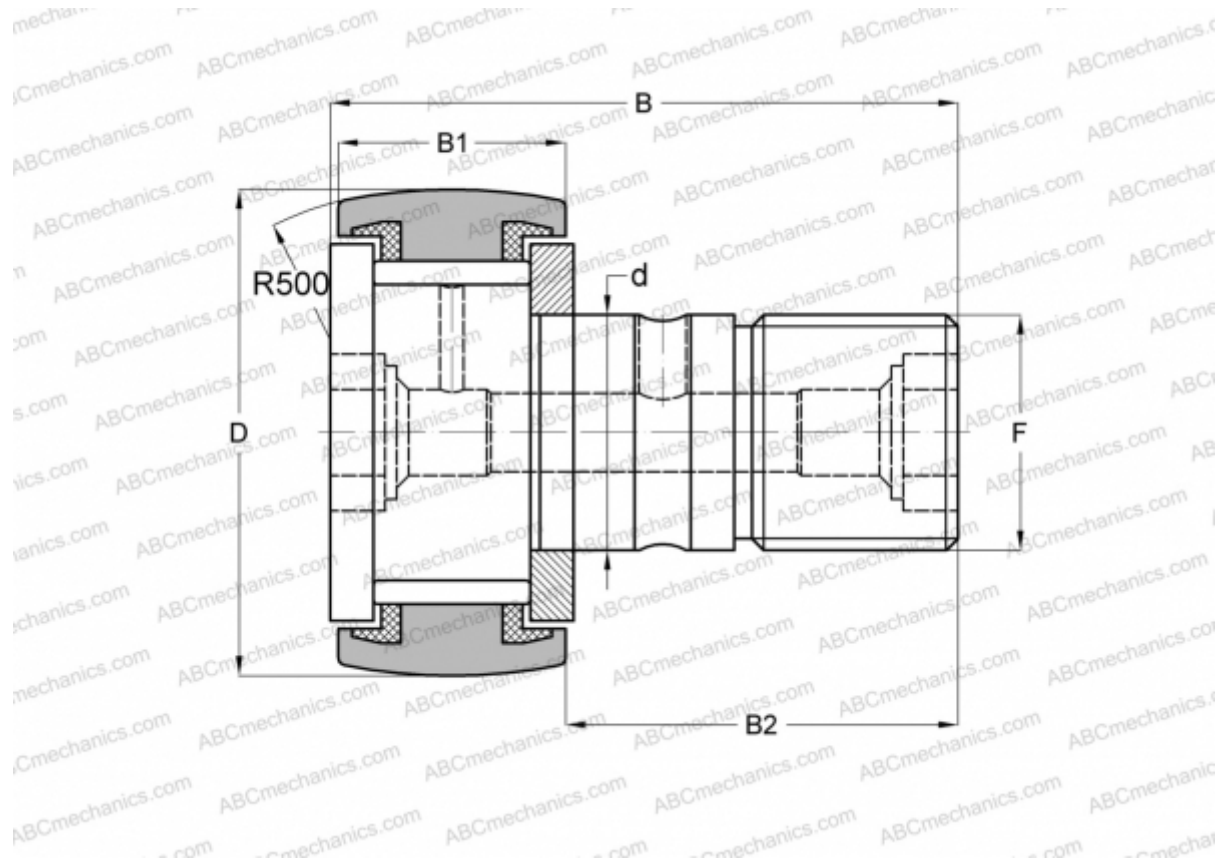


KRV 22 PP A INA

Cam followers

TYPE: Roller bearings, Stud type track rollers, With axial guidance, full complement bearing, sealing rings on both sides



Technical specification

DIMENSIONS, MM

d	10,000
D	22,000
B	36,000
B1	12,000
B2	23,000
F	M10x1

WEIGHT, KG 0,050

MANUFACTURER [INA](#)

INTERCHANGE

ABC	KRV 22 PP
SKF	KRV 22 PPA
IKO	CF 10 VUURM
McGill	MCF-22-S