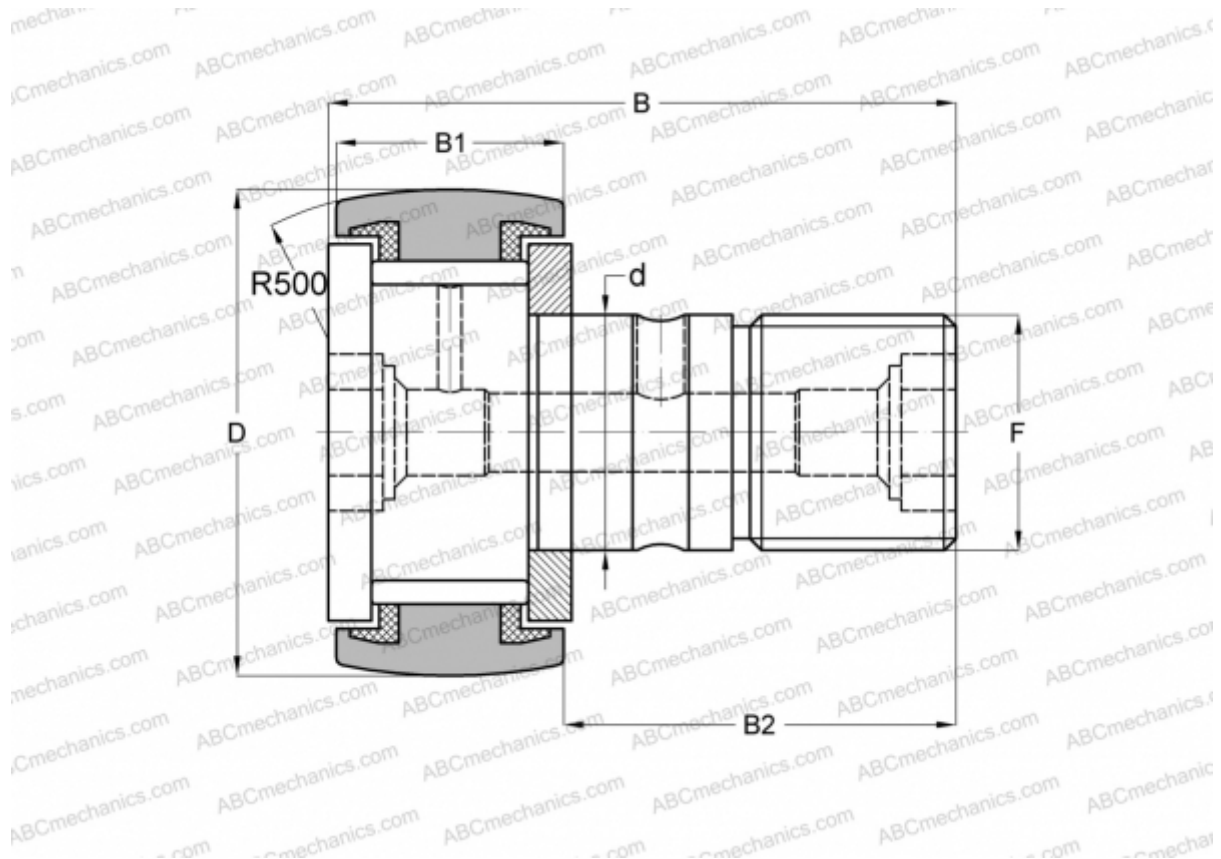


MCF-26-S McGill

Cam followers

TYPE: Roller bearings, Stud type track rollers, With axial guidance, full complement bearing, sealing rings on both sides



Technical specification

DIMENSIONS, MM

d	10,000
D	26,000
B	36,000
B1	12,000
B2	23,000
F	M10x1

WEIGHT, KG 0,059

MANUFACTURER [McGill](#)

INTERCHANGE

ABC	KRV 26 PP
INA	KRV 26 PP A
SKF	KRV 26 PPA
IKO	CF 10-1 VUURM