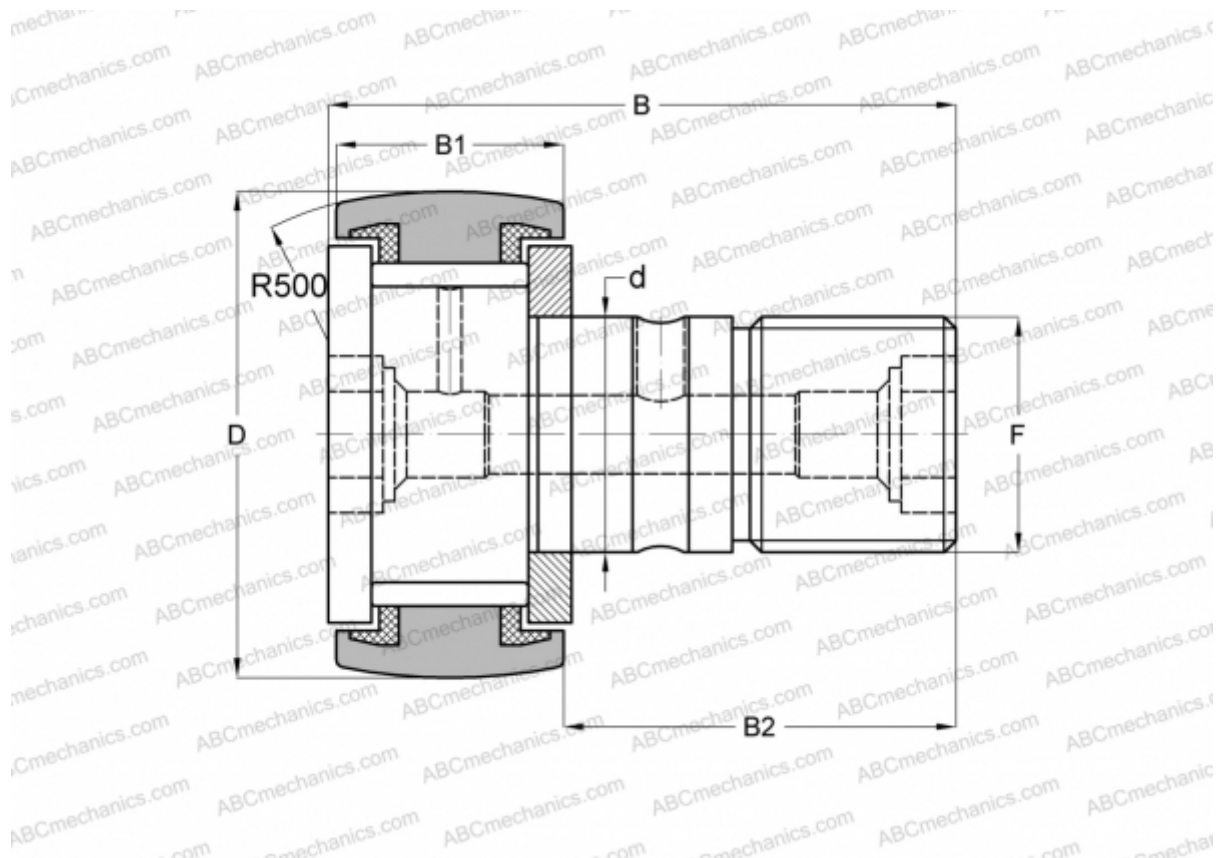


CF 10-1 VUUR ABC

Cam followers

TYPE: Roller bearings, Stud type track rollers, With axial guidance, full complement bearing, sealing rings on both sides



Technical specification

DIMENSIONS, MM

d	10,000
D	26,000
B	36,200
B1	12,000
B2	23,000
F	M10x1.25

WEIGHT, KG 0,061

MANUFACTURER [ABC](#)

INTERCHANGE

IKO	CF 10-1 VUUR
McGill	MCF-26A-S