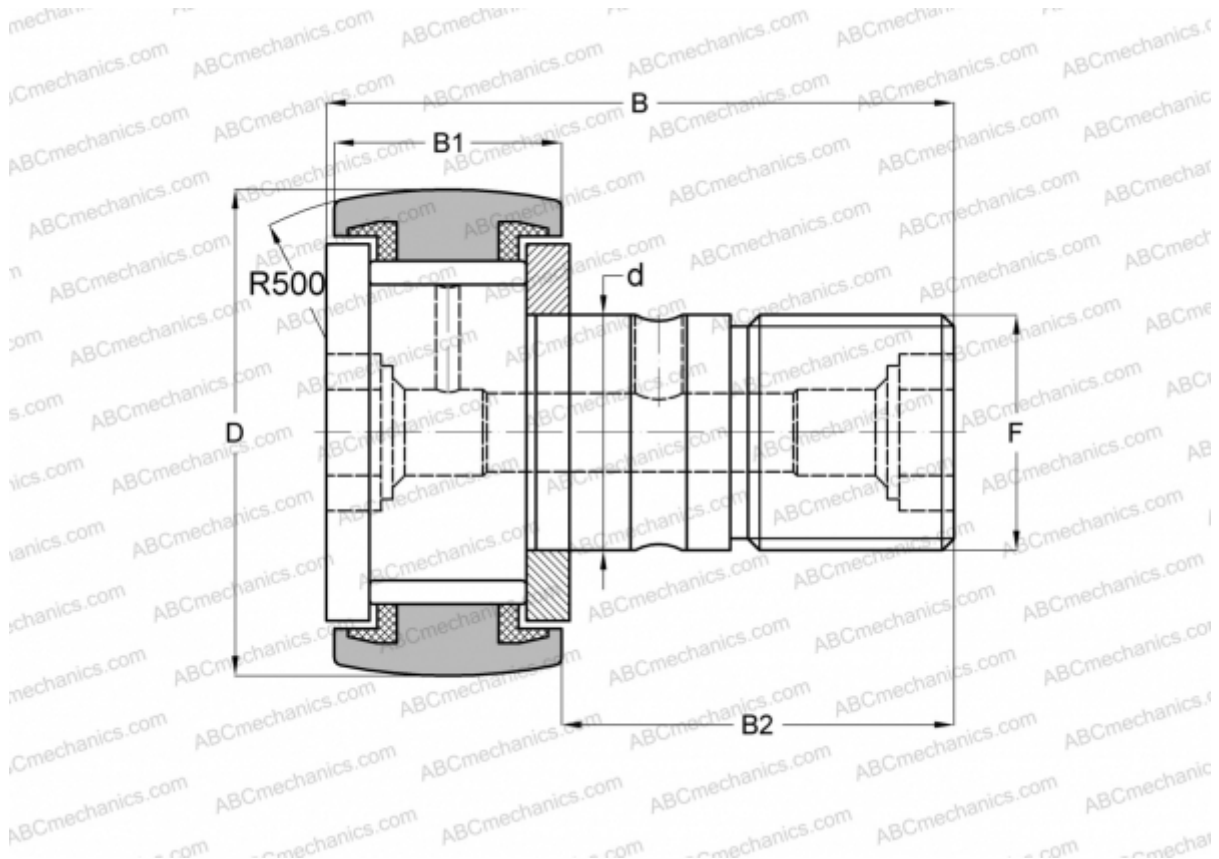


## KRV 30 PPA SKF

Cam followers

TYPE: Roller bearings, Stud type track rollers, With axial guidance, full complement bearing, sealing rings on both sides



### Technical specification

#### DIMENSIONS, MM

d	12,000
D	30,000
B	40,000
B1	14,000
B2	25,000
F	M 12x1.5

**WEIGHT, KG** 0,091

**MANUFACTURER** [SKF](#)

#### INTERCHANGE

ABC	<a href="#">KRV 30 PP</a>
INA	<a href="#">KRV 30 PP A</a>
IKO	<a href="#">CF 12 VUUR</a>
McGill	<a href="#">MCF-30-S</a>

#### CALCULATION DATA

Basic dynamic load rating, C	8,970 kN
Basic static load rating, Co	14,600 kN
Fatigue load limit, Pu	1,660 kN
Limiting speed	3200 r/min