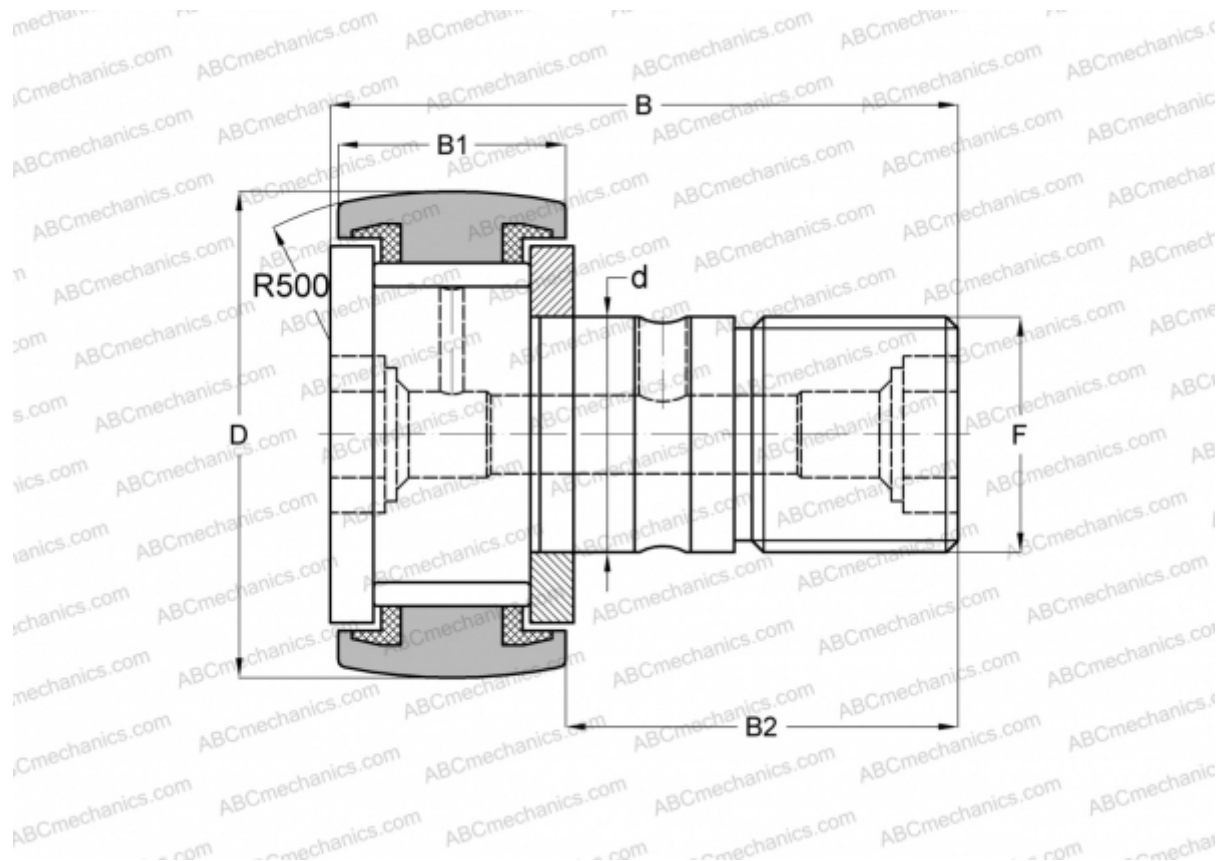


MCF-30-S McGill

Cam followers

TYPE: Roller bearings, Stud type track rollers, With axial guidance, full complement bearing, sealing rings on both sides



Technical specification

DIMENSIONS, MM

d	12,000
D	30,000
B	40,000
B1	14,000
B2	25,000
F	M12x1.5

WEIGHT, KG 0,091

MANUFACTURER [McGill](#)

INTERCHANGE

ABC	KRV 30 PP
INA	KRV 30 PP A
SKF	KRV 30 PPA
IKO	CF 12 VUUR