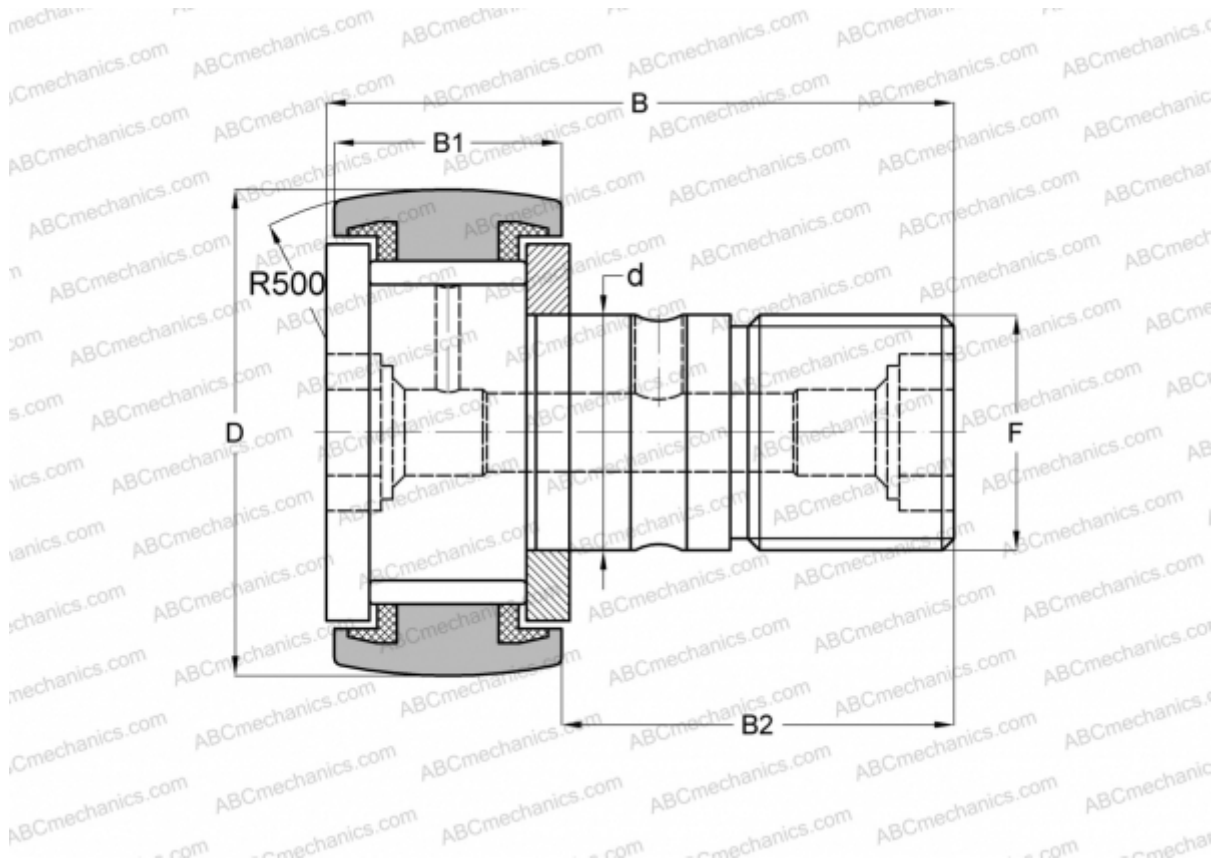


KRV 32 PP ABC

Cam followers

TYPE: Roller bearings, Stud type track rollers, With axial guidance, full complement bearing, sealing rings on both sides



Technical specification

DIMENSIONS, MM

d	12,000
D	32,000
B	40,000
B1	14,000
B2	25,000
F	M12x1.5

WEIGHT, KG 0,100

MANUFACTURER [ABC](#)

INTERCHANGE

INA	KRV 32 PP A
SKF	KRV 32 PPA
IKO	CF 12-1 VUUR
McGill	MCF-32-S