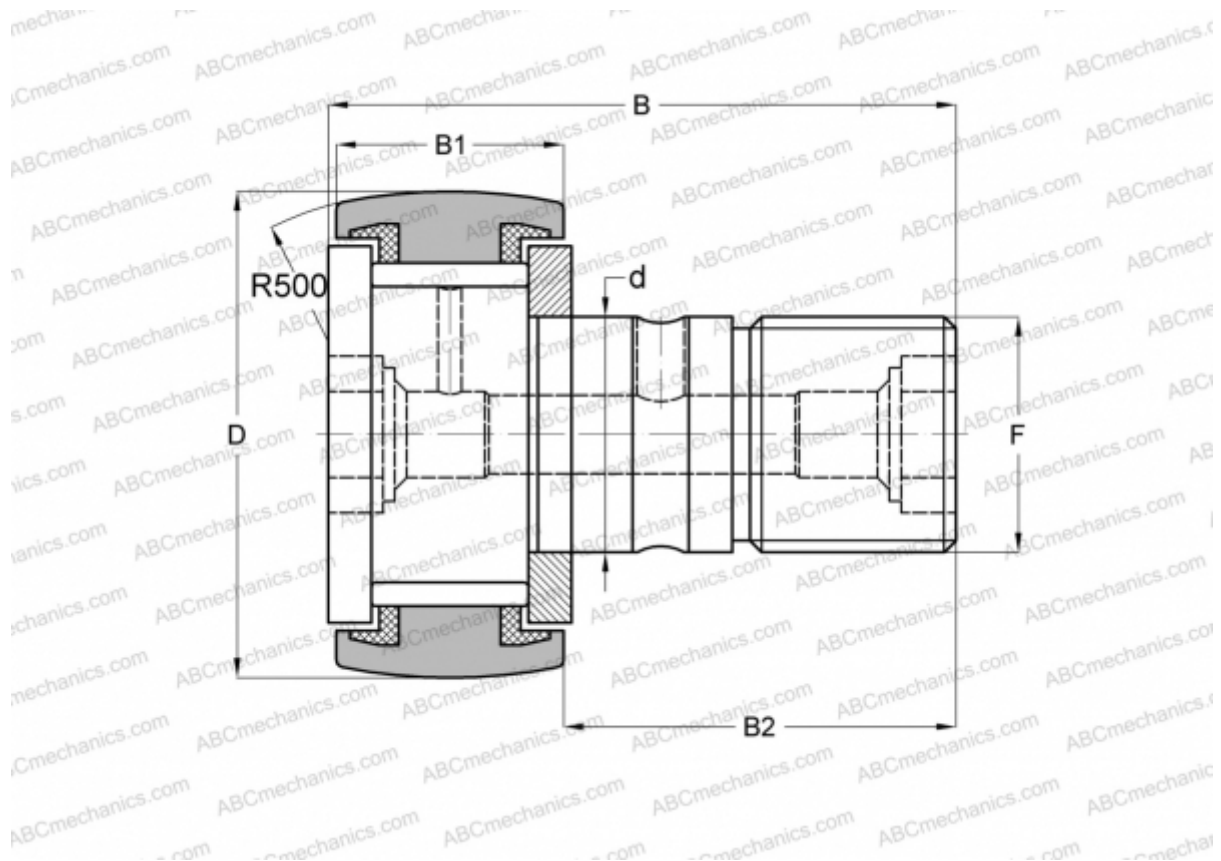


## KRV 32 PP A INA

Cam followers

TYPE: Roller bearings, Stud type track rollers, With axial guidance, full complement bearing, sealing rings on both sides



### Technical specification

#### DIMENSIONS, MM

d	12,000
D	32,000
B	40,000
B1	14,000
B2	25,000
F	M12x1.5

**WEIGHT, KG** 0,100

**MANUFACTURER** [INA](#)

#### INTERCHANGE

ABC	<a href="#">KRV 32 PP</a>
SKF	<a href="#">KRV 32 PPA</a>
IKO	<a href="#">CF 12-1 VUUR</a>
McGill	<a href="#">MCF-32-S</a>