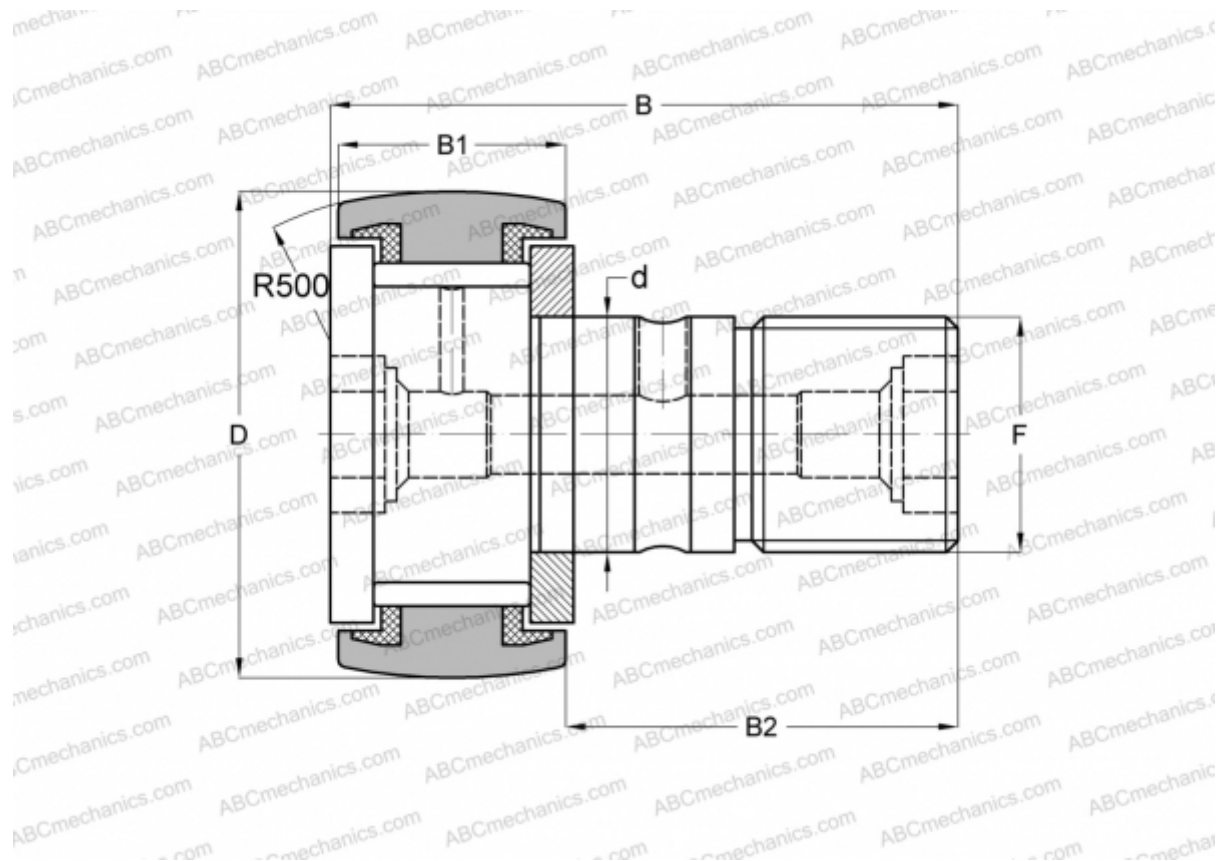


## MCF-35-S McGill

Cam followers

TYPE: Roller bearings, Stud type track rollers, With axial guidance, full complement bearing, sealing rings on both sides



### Technical specification

#### DIMENSIONS, MM

d	16,000
D	35,000
B	52,000
B1	18,000
B2	32,500
F	M16x1.5

**WEIGHT, KG** 0,177

**MANUFACTURER** [McGill](#)

#### INTERCHANGE

ABC	<a href="#">KRV 35 PP</a>
INA	<a href="#">KRV 35 PP A</a>
SKF	<a href="#">KRV 35 PPA</a>
IKO	<a href="#">CF 16 VUUR</a>