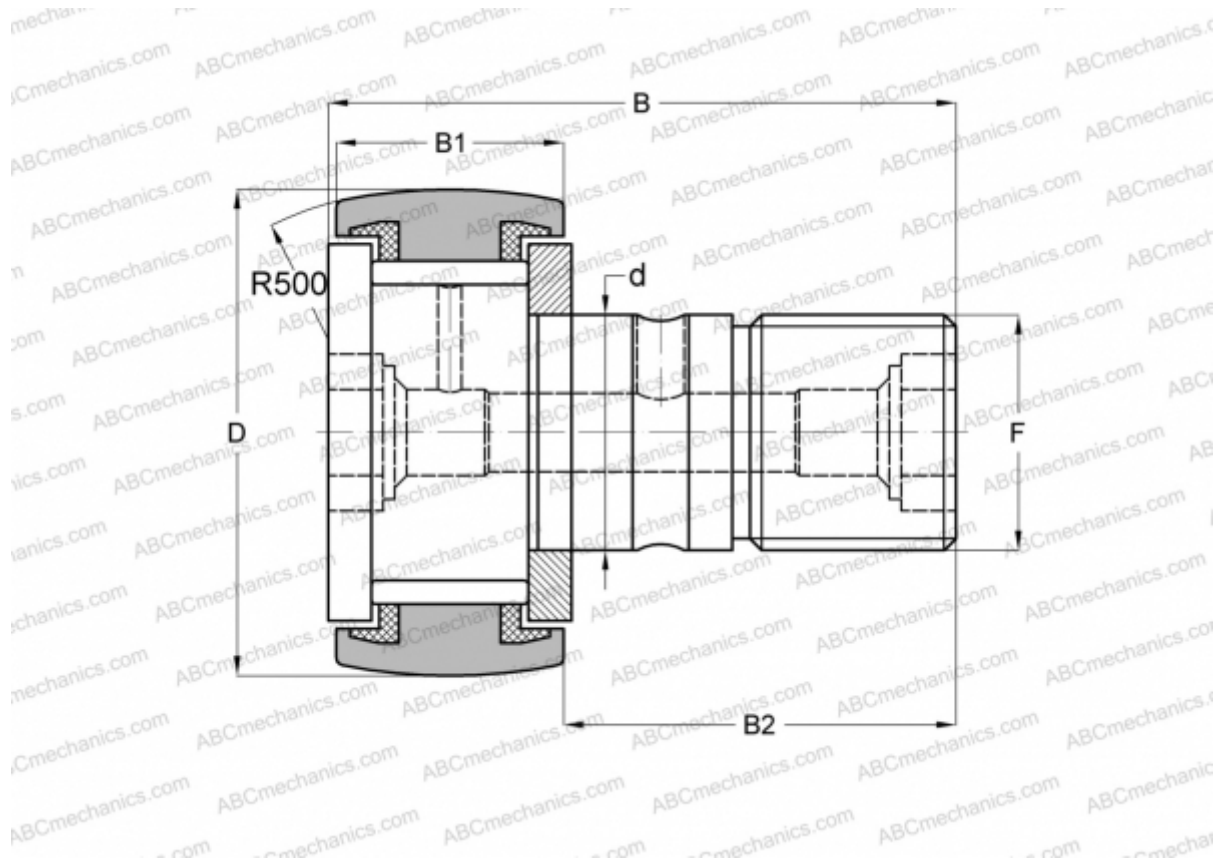


## KRV 47 PPA SKF

Cam followers

TYPE: Roller bearings, Stud type track rollers, With axial guidance, full complement bearing, sealing rings on both sides



### Technical specification

#### DIMENSIONS, MM

d	20,000
D	47,000
B	66,000
B1	24,000
B2	40,500
F	M 20x1.5

**WEIGHT, KG** 0,390

**MANUFACTURER** [SKF](#)

#### INTERCHANGE

ABC	<a href="#">KRV 47 PP</a>
INA	<a href="#">KRV 47 PP A</a>
IKO	<a href="#">CF 20-1 VUUR</a>
McGill	<a href="#">MCF-47-S</a>

#### CALCULATION DATA

Basic dynamic load rating, C	19,400 kN
Basic static load rating, Co	41,500 kN
Fatigue load limit, Pu	5,000 kN
Limiting speed	1900 r/min