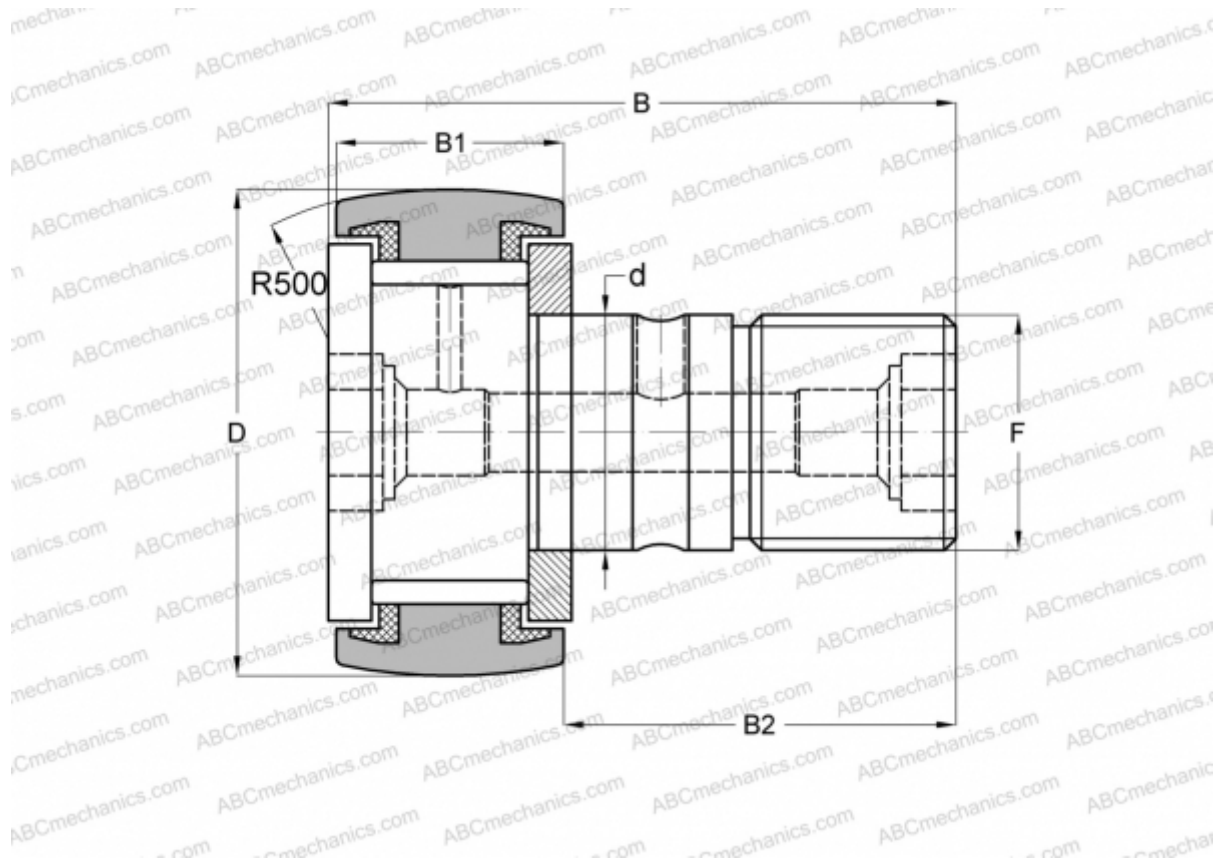


KRV 62 PPA SKF

Cam followers

TYPE: Roller bearings, Stud type track rollers, With axial guidance, full complement bearing, sealing rings on both sides



Technical specification

DIMENSIONS, MM

| | |
|----|----------|
| d | 24,000 |
| D | 62,000 |
| B | 80,000 |
| B1 | 29,000 |
| B2 | 49,500 |
| F | M 24x1.5 |

WEIGHT, KG 0,787

MANUFACTURER [SKF](#)

INTERCHANGE

| | |
|--------|-----------------------------|
| ABC | KRV 62 PP |
| INA | KRV 62 PP A |
| IKO | CF 24 VUUR |
| McGill | MCF-62-S |

CALCULATION DATA

| | |
|------------------------------|------------|
| Basic dynamic load rating, C | 31,400 kN |
| Basic static load rating, Co | 72,000 kN |
| Fatigue load limit, Pu | 9,000 kN |
| Limiting speed | 1700 r/min |