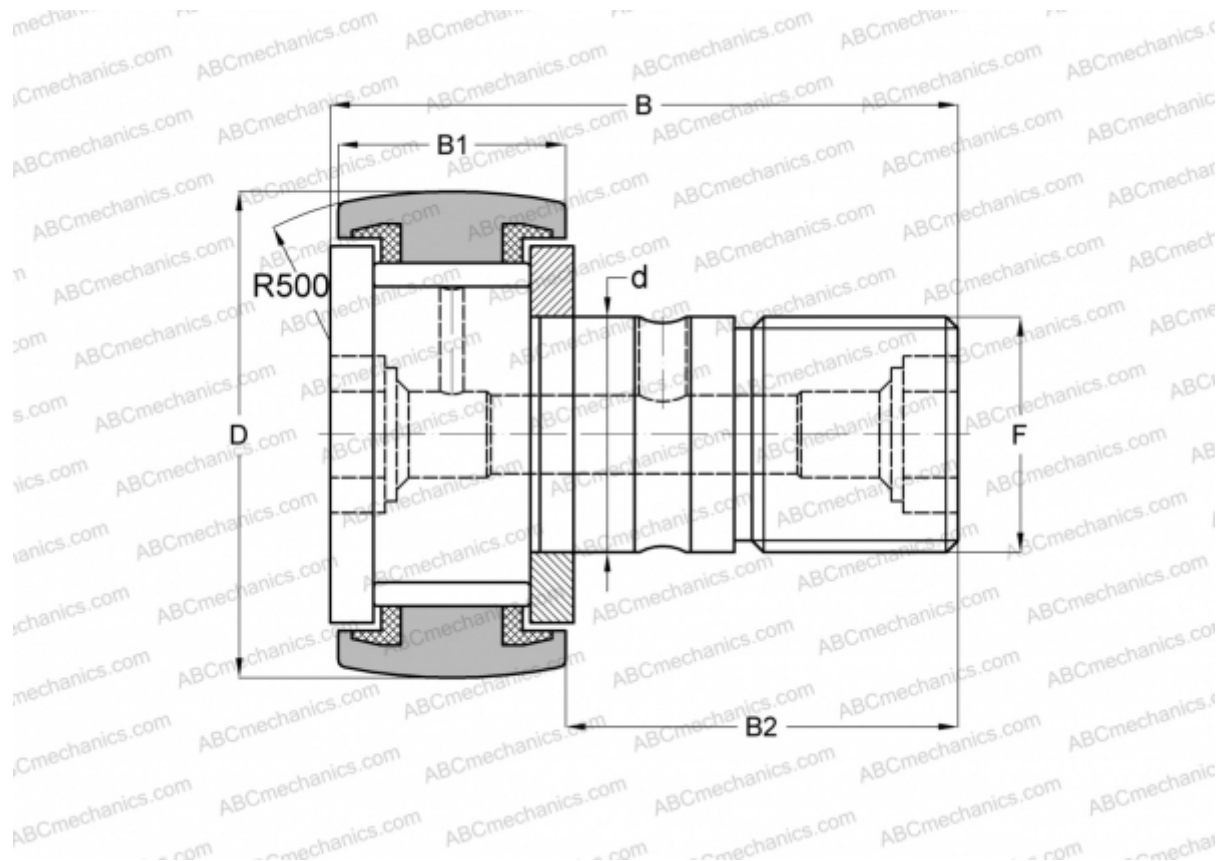


KRV 80 PPA SKF

Cam followers

TYPE: Roller bearings, Stud type track rollers, With axial guidance, full complement bearing, sealing rings on both sides



Technical specification

DIMENSIONS, MM

d	30,000
D	80,000
B	100,000
B1	35,000
B2	63,000
F	M 30x1.5

WEIGHT, KG 1,636

MANUFACTURER [SKF](#)

INTERCHANGE

ABC	KRV 80 PP
INA	KRV 80 PP A
IKO	CF 30 VUUR
McGill	MCF-80-S

CALCULATION DATA

Basic dynamic load rating, C	45,700 kN
Basic static load rating, Co	114,000 kN
Fatigue load limit, Pu	14,000 kN
Limiting speed	1400 r/min