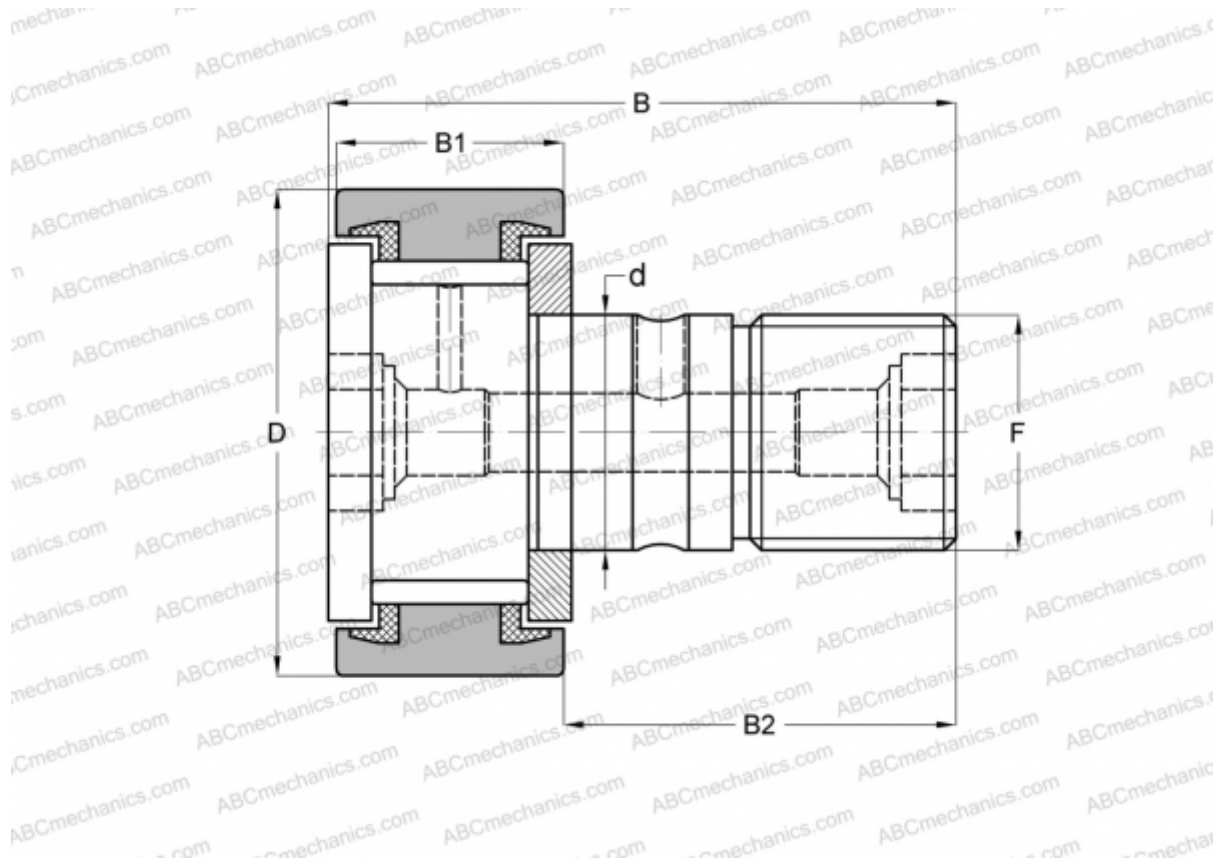


## CF 30 VUU IKO

Cam followers

TYPE: Roller bearings, Stud type track rollers, With axial guidance, full complement bearing, sealing rings on both sides, cylindrical outer ring



### Technical specification

#### DIMENSIONS, MM

d	30,000
D	80,000
B	100,000
B1	35,000
B2	63,000
F	M30x1.5

**WEIGHT, KG** 1,870

**MANUFACTURER** [IKO](#)

#### INTERCHANGE

ABC	<a href="#">KRV 80 PPX</a>
INA	<a href="#">KRV 80 PPX</a>
SKF	<a href="#">KRV 80 PPXA</a>
McGill	<a href="#">MCF-80-SX</a>

#### CALCULATION DATA

Basic dynamic load rating, C	67,700 kN
Basic static load rating, Co	144,000 kN