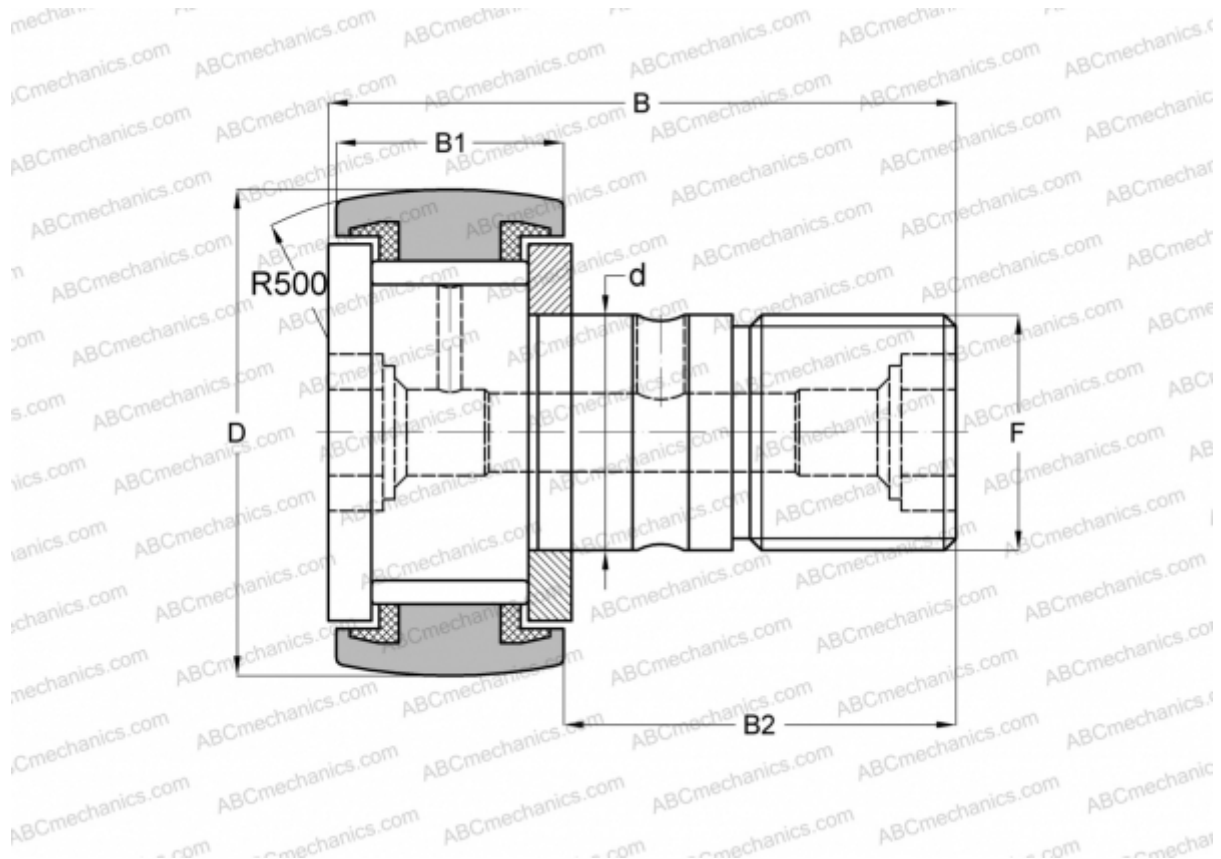


## CF 18 VUUR-AB THK

Cam followers

TYPE: Roller bearings, Stud type track rollers, With axial guidance, full complement bearing, sealing rings on both sides, double hex hole



### Technical specification

#### DIMENSIONS, MM

|    |         |
|----|---------|
| d  | 18,000  |
| D  | 40,000  |
| B  | 58,000  |
| B1 | 20,000  |
| B2 | 36,500  |
| F  | M18x1.5 |

**WEIGHT, KG** 0,255

**MANUFACTURER** [THK](#)

#### INTERCHANGE

|     |                               |
|-----|-------------------------------|
| ABC | <a href="#">CFKR 40 VUUR</a>  |
| IKO | <a href="#">CFKR 40 VUUR</a>  |
| JNS | <a href="#">CF 18 VUUR-AB</a> |