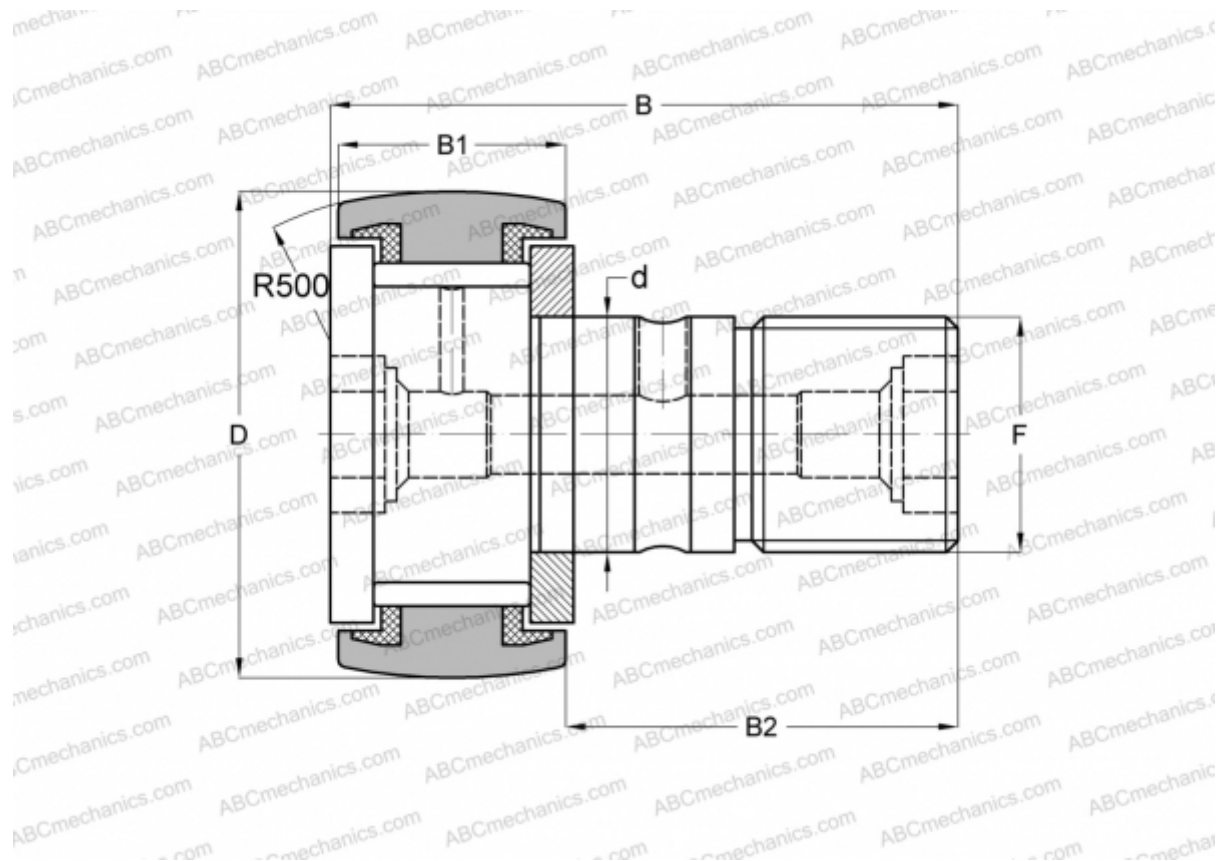


CFKR 80 VUUR IKO

Cam followers

TYPE: Roller bearings, Stud type track rollers, With axial guidance, full complement bearing, sealing rings on both sides, double hex hole



Technical specification

DIMENSIONS, MM

d	30,000
D	80,000
B	100,000
B1	35,000
B2	63,000
F	M30x1.5

WEIGHT, KG 1,860

MANUFACTURER [IKO](#)

INTERCHANGE

ABC	CFKR 80 VUUR
JNS	CF 30 VUUR-AB
THK	CF 30 VUUR-AB

CALCULATION DATA

Basic dynamic load rating, C	67,700 kN
Basic static load rating, Co	144,000 kN