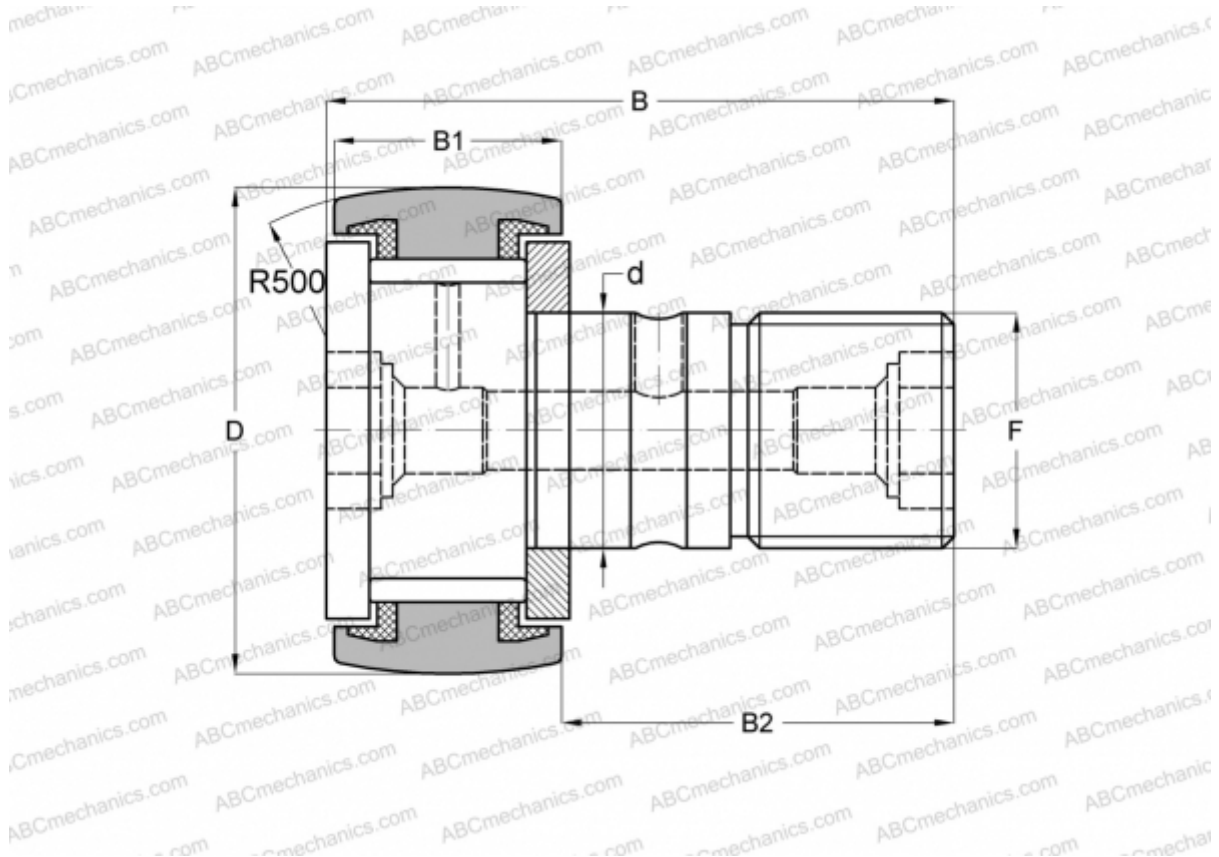


CF 30 VUUR-AB THK

Cam followers

TYPE: Roller bearings, Stud type track rollers, With axial guidance, full complement bearing, sealing rings on both sides, double hex hole



Technical specification

DIMENSIONS, MM

d	30,000
D	80,000
B	100,000
B1	35,000
B2	63,000
F	M30x1.5

WEIGHT, KG 1,665

MANUFACTURER [THK](#)

INTERCHANGE

ABC	CFKR 80 VUUR
IKO	CFKR 80 VUUR
JNS	CF 30 VUUR-AB