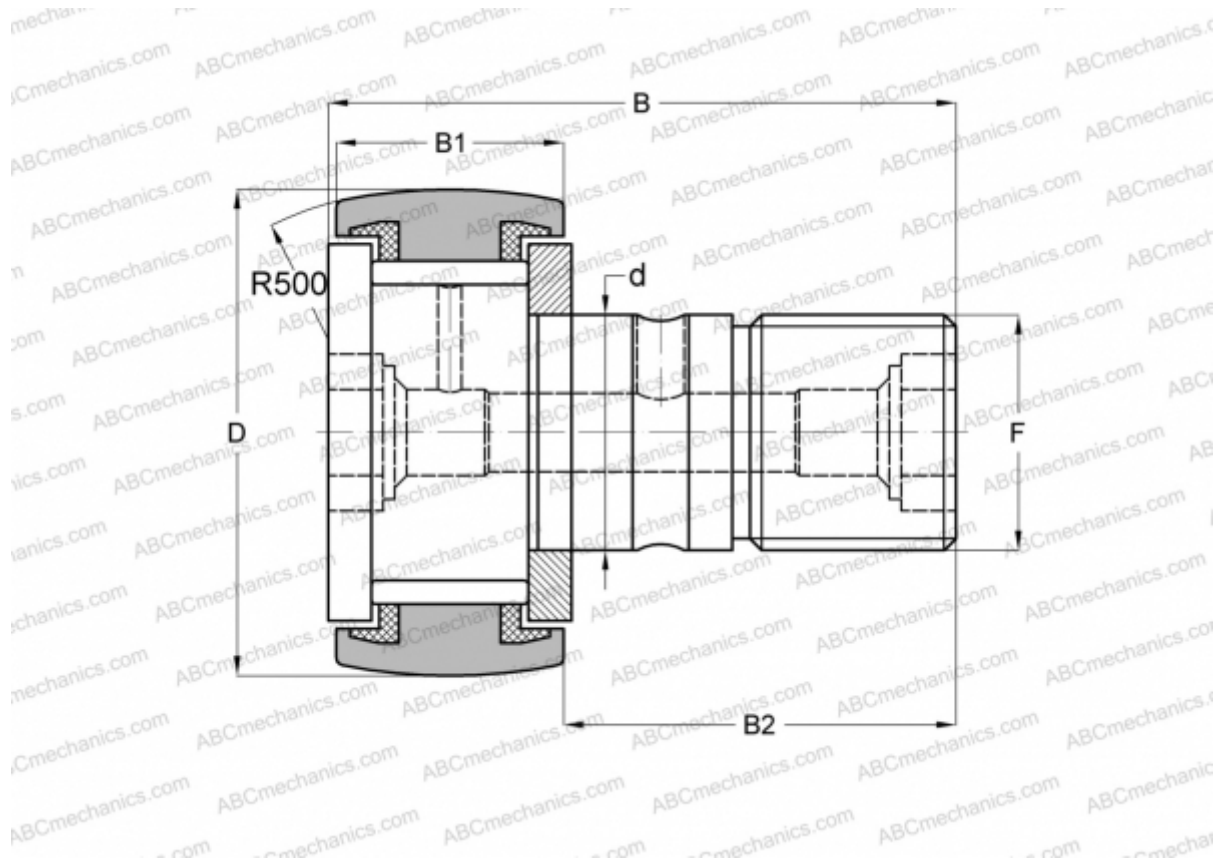


CFKR 90 VUUR ABC

Cam followers

TYPE: Roller bearings, Stud type track rollers, With axial guidance, full complement bearing, sealing rings on both sides, double hex hole



Technical specification

DIMENSIONS, MM

d	30,000
D	90,000
B	100,000
B1	35,000
B2	63,000
F	M30x1.5

WEIGHT, KG 2,032

MANUFACTURER [ABC](#)

INTERCHANGE

IKO	CFKR 90 VUUR
JNS	CF 30-2 VUUR-AB
THK	CF 30-2 VUUR-AB