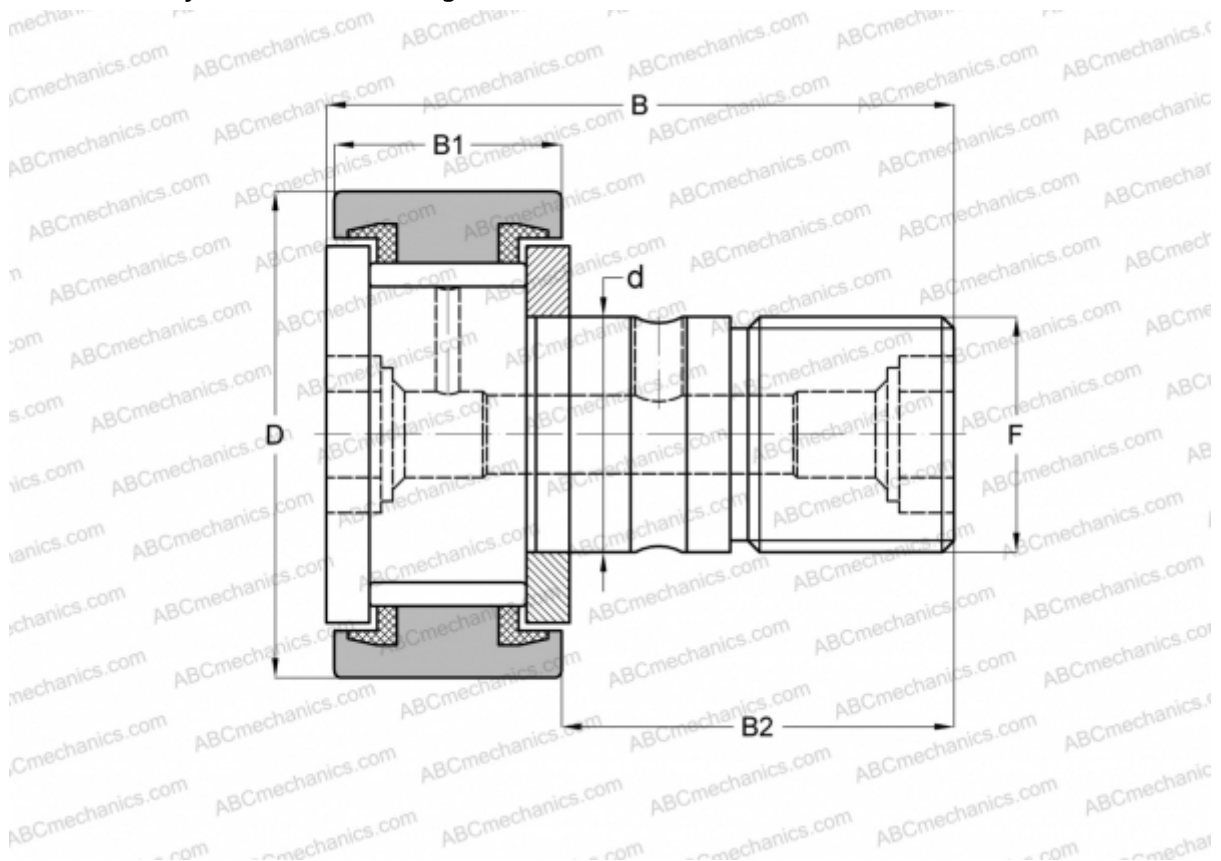


CFKR 72 VUU IKO

Cam followers

TYPE: Roller bearings, Stud type track rollers, With axial guidance, full complement bearing, sealing rings on both sides, cylindrical outer ring, double hex hole



Technical specification

DIMENSIONS, MM

d	24,000
D	72,000
B	80,100
B1	29,000
B2	49,500
F	M24x1.5

WEIGHT, KG 1,120

MANUFACTURER [IKO](#)

INTERCHANGE

ABC	CFKR 72 VUU
JNS	CF 24-1 VUU-AB
THK	CF 24-1 VUU-AB

CALCULATION DATA

Basic dynamic load rating, C	46,600 kN
Basic static load rating, Co	92,000 kN