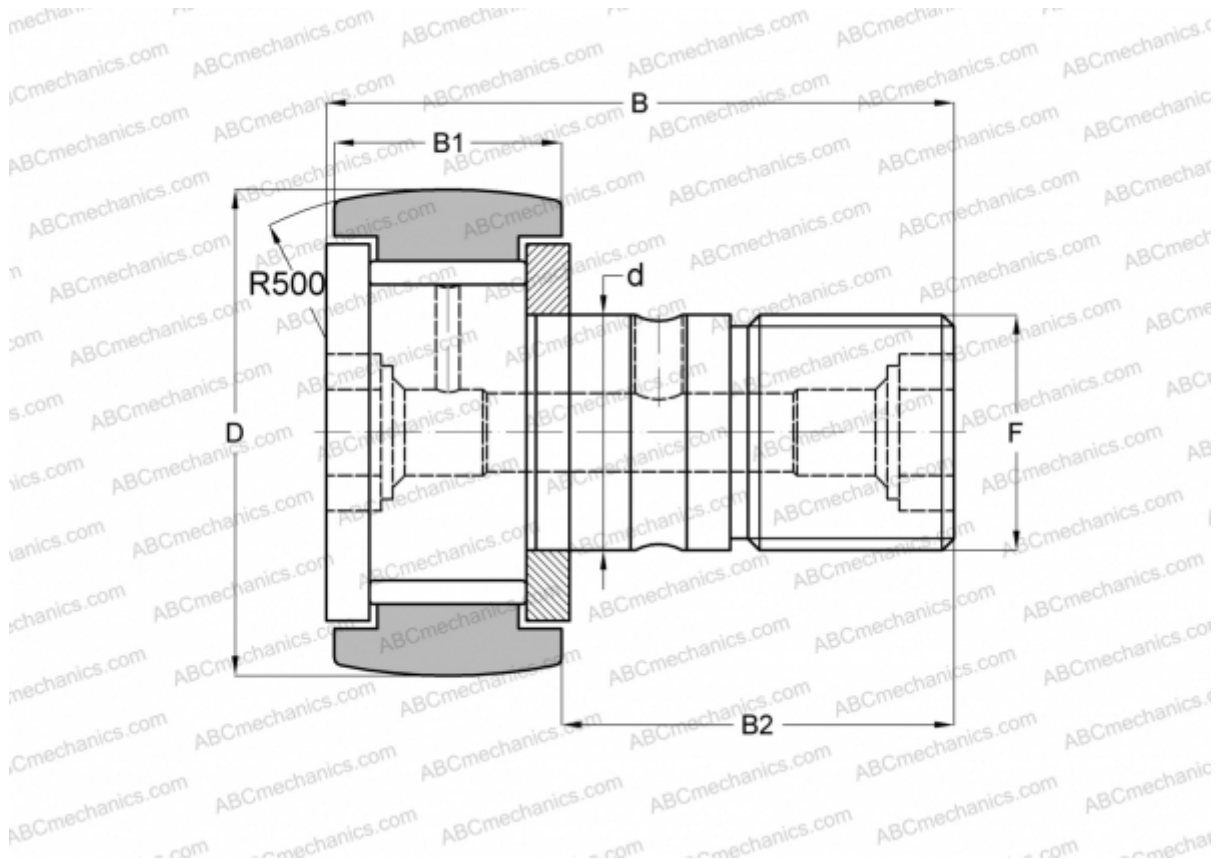


CF 8 VBR ABC

Cam followers

TYPE: Roller bearings, Stud type track rollers, With axial guidance, full complement bearing, gap seal on both side, hex socket



Technical specification

DIMENSIONS, MM

| | |
|----|---------|
| d | 8,000 |
| D | 19,000 |
| B | 32,200 |
| B1 | 11,000 |
| B2 | 20,000 |
| F | M8x1.25 |

WEIGHT, KG 0,029

MANUFACTURER [ABC](#)

INTERCHANGE

| | |
|--------|---------------------------|
| IKO | CF 8 VBR |
| INA | KRV 19 SK |
| SKF | KRV 19 SK |
| McGill | MCF-19-B |