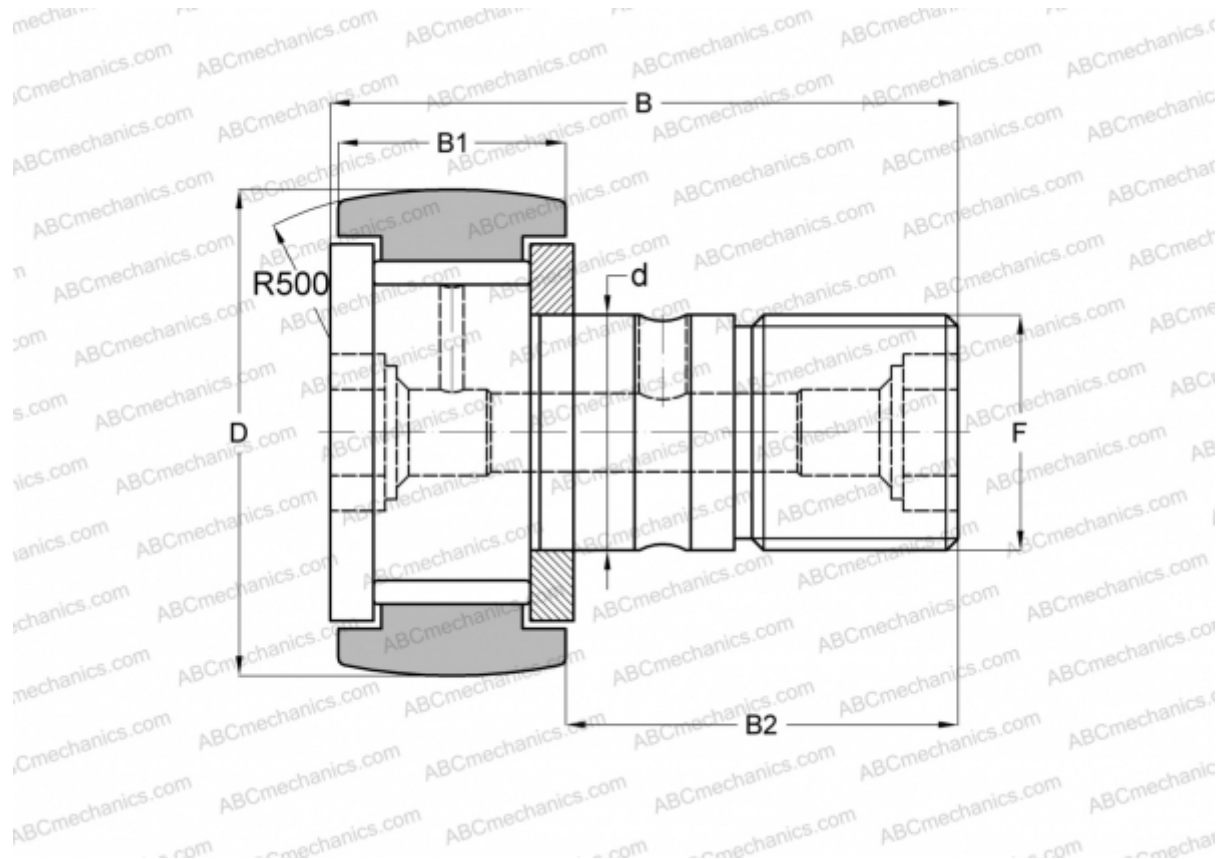


CF 10-1 VBRM IKO

Cam followers

TYPE: Roller bearings, Stud type track rollers, With axial guidance, full complement bearing, gap seal on both side, hex socket



Technical specification

DIMENSIONS, MM

d	10,000
D	26,000
B	36,200
B1	12,000
B2	23,000
F	M10x1

CALCULATION DATA

Basic static load rating, Co	14,500 kN
------------------------------	-----------

MANUFACTURER

[IKO](#)

INTERCHANGE

ABC	CF 10-1 VBRM
INA	KRV 26 SK
SKF	KRV 26 SK
McGill	MCF-26-B

CALCULATION DATA

Basic dynamic load rating, C	9,570 kN
------------------------------	----------